

Granulating Pelletizing Coating Drying

**制粒 制丸 包衣 干燥**



**常州市佳发制粒干燥设备有限公司**

CHANGZHOU JIAFA GRANULATING DRYING EQUIPMENT CO., LTD.

# ISO9001 国际质量体系认证

## 客户分布图

### 公司简介

常州市佳发制粒干燥设备有限公司是从事制剂工艺研究、设备开发的专业化企业，是中国制药装备行业协会会员单位，江苏省高新技术企业，国家重点新产品推荐企业。

在“全混”流态化干燥造粒基础上，我公司先后开发了“规则流”、“流态化”、“底喷”、“侧喷”制粒、制丸、包衣装备，并拥有其专利和技术成就。

从试验至工艺、从工艺至相适应的设备选型、设计、制造及应用，是“佳发”自始至终所追求的完美表现。



# AUTHENTICATION ENTERPRISE OF QUALITY ASSURANCE SYSTEM OF ISO 9001

## CUSTOMER IN WORLD

Changzhou Jiafa Granulating Drying Equipment Co., Ltd is a specialty enterprise engaged in a preparation technics research and equipment development, also is a member unit of Association of China Pharmaceutical Equipment Industry, high-tech enterprises of JiangSu, national emphasis new product recommend enterprises.

On the basis of "full mixing" fluid-bed drying and granulating, our company has successively developed "regulation flow" fluid-bed which is used for "bottom spray" and "centrifugal spraying" granulating pelletizing, coating. What's more, we have the patent and technology and achievement.

We perfect from experiments to technics and from technics to related equipment choose, design, manufacture and application.



Taiwan



Holland



Paraguay



Saudi



Mongolia



New Zealand



South Africa



Austria



Portugal



Denmark



Israel



Mexico



Jamaica



Romania



South Africa



Austria



Singapore



Australia



Hongkong



Argentina



Ecuador



Venezuela



Yemen



Ghana



Ukraine



Philippines



Lebanon



Viet Nam



Indonesia



Cambodia



Guatemala



Uzbekistan



制粒

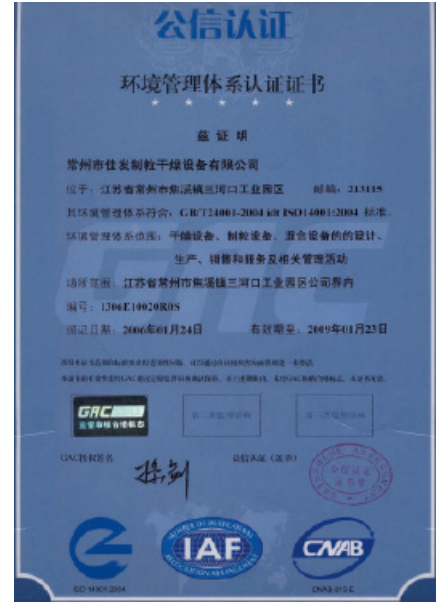
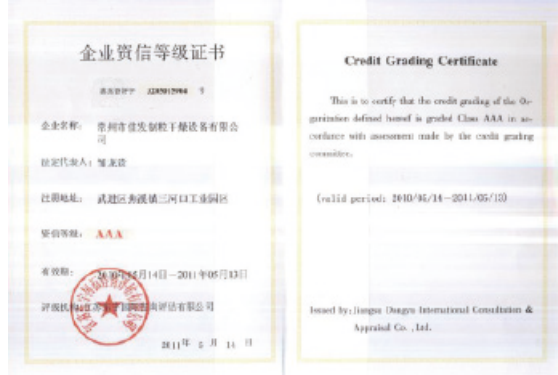
制丸

包衣

干燥

# 佳发制粒

JIAFA GRANULATING





制粒

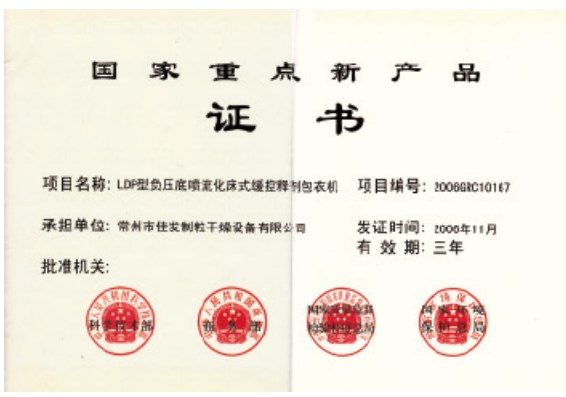
制丸

包衣

干燥

# 佳发制粒

JIAFA GRANULATING





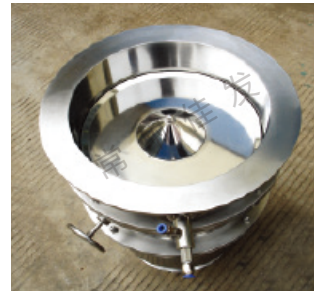
# FLP多功能流化造粒包衣实验机

FLP FLUID-BED GRANULATOR/PELLETIZER/COATER for R & D

本产品2010年通过CE认证  
The product got CE certified in 2010



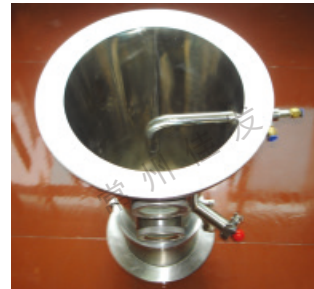
FLP mini



侧喷制丸包衣床  
Centrifugal spray pelleting/coating



FLP-0.5



顶喷制粒床  
Top spray granulating



FLP1.5/3



旋流流化床  
Turbojet granulating/coating



底喷包衣床  
Bottom spray coating



# FLP多功能流化造粒包衣实验机

FLP FLUID-BED GRANULATOR/PELLETIZER/COATER for R & D

本产品2010年通过CE认证  
The product got CE certified in 2010

## 技术参数 Technical Data

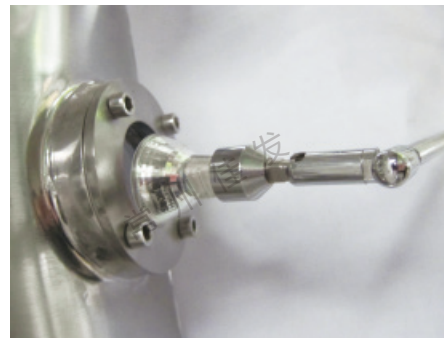
规格 Specification	FLP-Mini 台式 Table model	FLP -0.5 台式 Table model	FLP-1.5 台式 Table model	FLP-3 台式/立式 Table/Vertical model	FLP-5 台式/立式 Table/Vertical model
项目 Item					
生产能力 Capacity (Kg/批 batch)	0.05-0.2	0.2-0.5	0.5-1.5	1-3	3-5
流体适用范围 Scope of application for liquid(g/cm <sup>3</sup> )	<1.3				
成品含水量 Water content of end products(%)	最高可达0.5 Max up to 0.5				
容器容积 Container volume (L)	2.5-3	3-3.8	3-7	6-10	8-15
直径 Diameter(mm)	200	250	300	350	400
风机功率 Power of fan(Kw)	0.75	2.2	3	4	4
电加热 Power of electrical heater(Kw)	1.5	1.5	3	6	9
旋转电机功率 Power of rotating motor (Kw)		0.18	0.37	0.55	0.75
压缩空气压力 Pressure of compressed air (Mpa)	0.4-0.6				
压缩空气耗量 Consumption of compressed air (m <sup>3</sup> /min)	0.2	0.3	0.35	0.6	0.4
作业温度 Working temperature (°C)	常温-100°C可调 Normal temperature -100°C could adjust				
产品主要尺寸(长×宽×高mm) Overall dimension of machine (L×W×H)	详见安装布局图 Pls refer to installation drawing for detailed information				

所有数据仅作参考，视物料情况，本公司拥有变更权利，并不另行通知。  
All datas are used for reference only. According to the condition of material, our factory has the right change but not notice, pardon

## 外形参考图 Chart of overall dimensions



取样器  
Sampler



射灯  
Light



喷枪  
Spray gun



# FLP 多功能流化造粒包衣机

FLP FLUID-BED GRANULATOR/PELLETIZER/COATER



本产品2010年通过CE认证  
The product got CE certified in 2010



底喷包衣床  
Bottom spray coating



侧喷制丸包衣床  
Centrifugal spray pelleting/coating



布袋气密封  
Cloth bag air sealing



进风调风门  
Inlet air adjust air flap



真空上料口  
Vacuum feeding port



进风柜  
Inlet air cabinet

## 应用概述 General of applications

★FLP 多功能流化造粒包衣机是集喷雾干燥-制粒-离心制丸-流化包衣干燥于一体的多功能设备。该机兼容多种工艺操作。特别适用于医药、食品、化工等行业多品种、多剂型制粒、制丸及包衣。

★FLP Granulator/Coater/Pelleter is multi-function equipment integrated spray drying-granulating-centrifugal spray pelleting-fluid coating-drying in one body. The machine combines various process operations. Particularly it is suitable for granulating, pelletizing and coating of various varieties in pharmaceutical industry, foodstuff industry and chemical industry, etc.

## 设备特点 Features of equipment

- ★集制粒、制丸、包衣、干燥多种功能于一体。
- ★粉体物料制粒。
- ★粉体物料包衣。
- ★粉体物料制丸。
- ★中药喷雾制粒及包衣。
- ★制备10-30目大颗粒冲剂。
- ★粉体、颗粒、丸的薄膜、肠溶、缓控释包衣。
- ★掩味、防潮、防氧化、防水、隔热、着色、隔离包衣。
- ★粉状、粒状、丸状物料干燥。
- ★ Multi-function such as granulating, pelletizing, coating, drying in one machine.
- ★ Powder material granulating.
- ★ Powder material coating.
- ★ Powder material pelletizing.
- ★ Chinese medicine spray drying, granulating and coating.
- ★ Make 10-30 meshes big granule.
- ★ Film coating of Powder, granules and pellets, enteric release, slow and control release coating.
- ★ Taste masking, odor, moisture-proof, anti-oxidation, prevent water, heat insulation, coloration and separation coating
- ★ Powder, granule, pellet agglomerate material drying.





# FLP 多功能流化造粒包衣机

FLP FLUID-BED GRANULATOR/PELLETIZER/COATER

本产品2010年通过CE认证  
The product got CE certified in 2010

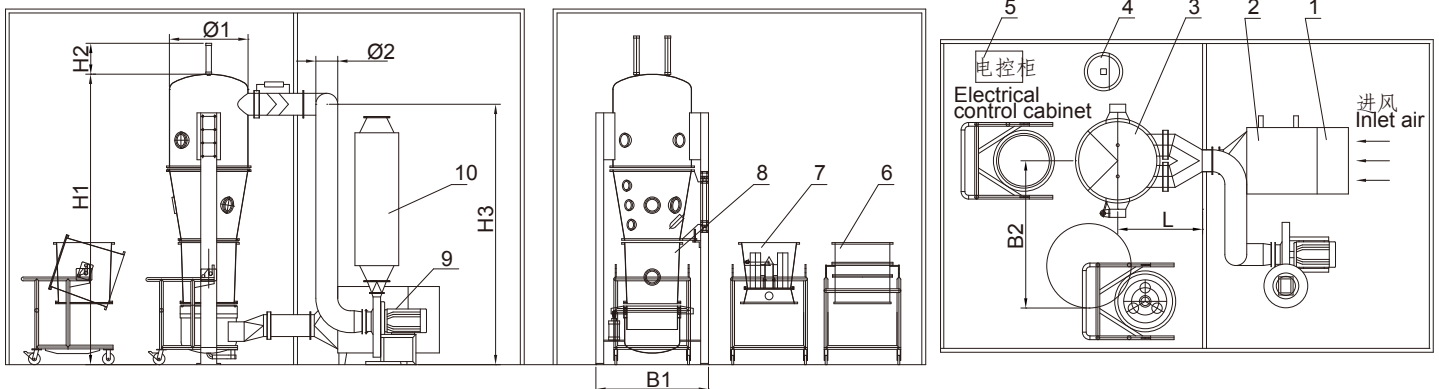
## 技术参数 Technical Data

项目Item		规格specification	10	15	20	30	45	60	90	120	
容器直径Dia of container	mm		700	800	900	1000	1100	1200	1400	1500	
生产能力Productive capacity	kg/批 kg/batch		2.5-10	3-15	5-20	7.5-30	10-45	15-60	20-90	30-120	
风机功率Power of fan	kw		5.5	7.5	7.5	7.5	11	15	18.5	22	
蒸汽 Steam	压强Pressure	Mpa	0.4-0.6								
	耗量Consumption	kg/h	35	42	47	60	140	160	180	240	
压缩空气 Compressed air	压强Pressure	Mpa	0.6								
	耗量Consumption	m <sup>3</sup> /min	0.6	0.6	0.6	0.9	0.9	1.1	1.3	1.5	
噪音Noise	dB	风机隔离处理噪音低于75分贝 No more than 75dB Separated of fan									
主机尺寸 Installation size for reference	H1(mm)		2790	3350	3650	3720	3720	3850	3950	4190	
	H2(mm)		340	490	540	590	640	690	740	790	
	H3(mm)		2570	3130	3430	3500	3500	3630	3720	3975	
	Ø(mm)		250	250	250	280	280	280	280	315	
	L(mm)		1250	1400	1450	1500	1550	1600	1650	1700	
	B1(mm)		1160	1460	1560	1600	1760	1860	1960	2060	
	B2(mm)		1860	2460	2660	2860	3060	3260	3460	3660	

所有数据仅作参考，视物料情况，本公司拥有变更权利，并不另行通知。

All datas are used for reference only. According to the condition of material, our factory has the right to change but not notice, pardon!

## 外形尺寸图 Chart of overall dimensions



- 1. 过滤器 Filter
- 2. 加热器 Heater
- 3. 主机 Main machine
- 4. 配液罐 Liquid tank
- 5. 电控柜 Electrical control cabinet
- 6. 旋转床 Turbojet bed
- 7. 包衣床 Coating bed
- 8. 制粒床 Granulating bed
- 9. 引风机 Fan
- 10. 消音器 Silencer



## FL-B 沸腾制粒机(一步制粒机)

FLUID-BED GRANULATOR(ONE-STEP GRANULATOR)

本产品2010年通过 CE 认证  
The product got CE certified in 2010



喷枪  
Spray gun



### 应用概述 General of applications

★沸腾制粒机主要用于：医药、食品、化工等行业的粉末物料混合、制粒、干燥、颗粒“顶喷”包衣等作业。如片剂颗粒、速溶饮料、调味品用颗粒。

★本机按 JB20014-2004 《药用沸腾制粒器》标准进行设计和制作。

★The machine is mainly used for the operations of mixing, granulating, drying and coating of granule "Top Spraying", etc of powder material in pharmaceutical industry, foodstuff industry, chemical industry, etc. Such as granule of tablet, granule for quick resolving drinking, condiment.

★The machine is designed and manufactured in accordance with JB20014-2004 《Fluid-bed Granulator In Medicine》

### 设备特点 Features of equipment

★混合-制粒-干燥一步法达到工艺要求。

★双捕集滤袋系统，清灰彻底。

★多流体雾化器，确保成粒均匀，粉末含量极低。

★可选配2巴的防爆设计。

★按GMP规范设计、制造及工程配置布局。

★Mixing-granulating-drying in one-step.

★Adopting double chamber filtering bags system, removing dust completely.

★Adopting multi-fluid nozzle, it guarantees that the formed granule is uniform and the content of powder is very low.

★Can choose 2 bar explosion-proof design

★Designed, manufactured and laid out by GMP



# FL-B 沸腾制粒机(一步制粒机)

## FLUID-BED GRANULATOR(ONE-STEP GRANULATOR)

本产品2010年通过 CE 认证  
The product got CE certified in 2010

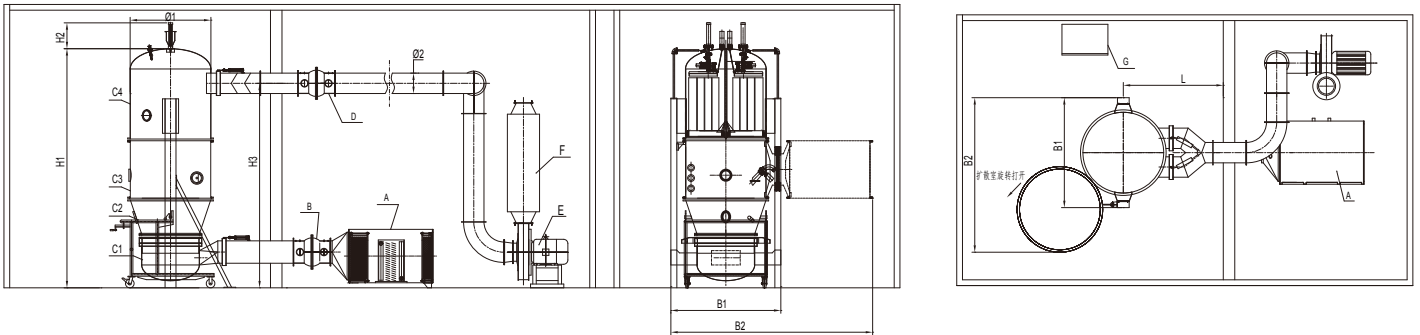
### 技术参数 Technical Data

项目 Item		规格 Specification	3	5	15	30	45	60	90	120	150	200	300	500	800-1000
原料容器容积 Container Volume		L	12	22	45	100	155	220	300	420	550	670	1000	1500	
生产能力Capacity		Kg/批 kg/batch	3	5	15	30	45	60	90	120	150	200	300	500	
蒸汽 Steam	压强 Pressure	Mpa	0.4-0.6												
	耗量 Consumption	Kg/h	10	18	35	60	99	120	130	140	161	180	310	400	
风机功率 Power of fan		kw	3	4	4	5.5	7.5	11	15	18.5	22	22	30	45	
电加热功率 Power of electrical heater		kw	6	9											
噪音Noise		dB	风机隔离处理噪音低于75分贝 No more than 75dB Separated of fan												
压缩空气 Compressed air	压强 Pressure	Mpa	0.6												
	耗量 Consumption	m <sup>3</sup> /min	0.3	0.3	0.6	0.6	0.6	0.9	0.9	0.9	0.9	1.1	1.3	1.5	
主机尺寸 Installation size for reference		H1(mm)	2600	2600	2100	2250	2250	2850	2850	2850	3050	3300	3500	3850	
		H2(mm)			250	320	420	490	540	590	640	690	790	890	
		H3(mm)			1900	2050	2050	2600	2600	2600	2600	3000	3280	3630	
		B1(mm)	640	740	1010	1160	1320	1460	1560	1660	1760	1860	2060	2260	
		B2(mm)			1500	1800	2060	2460	2660	2800	3060	3260	3660	4060	
		Ø1(mm)	300	400	550	700	860	1000	1100	1200	1300	1400	1600	1800	
		Ø2(mm)	150	180	180	180	250	280	280	280	315	315	355	385	
		L(mm)	850	1000	1100	1250	1530	1530	1530	1650	1650	1650	1750	1850	

按用户  
要求设计  
By  
client

所有数据仅作参考，视物料情况，本公司拥有变更权利，并不另行通知。  
All datas are used for reference only. According to the condition of material, our factory has the right change but not notice, pardon!

### 外形尺寸图 Chart of overall dimensions



A、进风、加热系统 B、进风防爆阀 C1、底筒 C2、料车 C3、中筒 C4、顶筒 D、排风防爆阀 E、引风机 F、消音器 G、控制柜  
Inlet air/heating system Inlet air EX-proof valve Bottom chamber Trolley Expand chamber Filter chamber Exhaust air EX-proof valve Exhaust fan Silencer Control cabinet



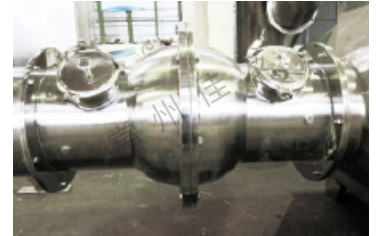
# LDP 流化床包衣机

LDP FLUID-BED COATER

本产品2010年通过 CE 认证  
The product got CE certified in 2010



包衣床  
Coating bed



进风防爆阀  
Inlet air explosion-proof valve



喷枪  
Spray gun(with thimble)



进风比例调节阀  
Inlet air proportioning valve



喷枪  
Spray gun

## 应用概述 General of applications

★流化床包衣机是将流态化包衣技术与喷雾技术有机结合为一体的新型微粒包衣设备，广泛用于膜缓控释、骨架缓控释胶囊、丸剂包衣、颗粒、粉体包衣。

★Fluid-bed coater is a new style coating equipment that combined fluid-bed spraying technology and coating well. It is widely used for film slow and control releasing coating, framework slow and control releasing capsule, pellet coating, granule, powder coating, etc.



## 设备特点 Features of equipment

- ★底喷流态化，物料具备一定规律的运行轨迹，因而可获得均匀、连续的衣膜。
- ★粉体、颗粒、丸掩味、防潮、防氧化、防水、防热、着色隔离等包衣。
- ★无包衣材料损失、生产成本低。
- ★雾粒到达物料线路短，无“喷雾干燥”之患。
- ★圆柱形加速容器或倒锥体减速设计，可进行微粒、大颗粒、小颗粒、微丸包衣。
- ★物料分散性极好，无粘连现象。
- ★Coating of bottom spraying, material flow in order. We can get uniform and continuous film.
- ★Taste masking odor, moisture-proof, antioxidation, prevent water, heat insulation, coloration and separation coating.
- ★Low productive cost, and the coating material is used perfectly.
- ★Short travel distance of fog granule and without the problem of “spray drying”.
- ★The design of cylinder for accelerator or cone for decelerate can be used for coating of granule, powder and pellets.
- ★The high separate, without adhere.



# LDP 流化床包衣机

## LDP FLUID-BED COATER

本产品2010年通过CE认证  
The product got CE certified in 2010

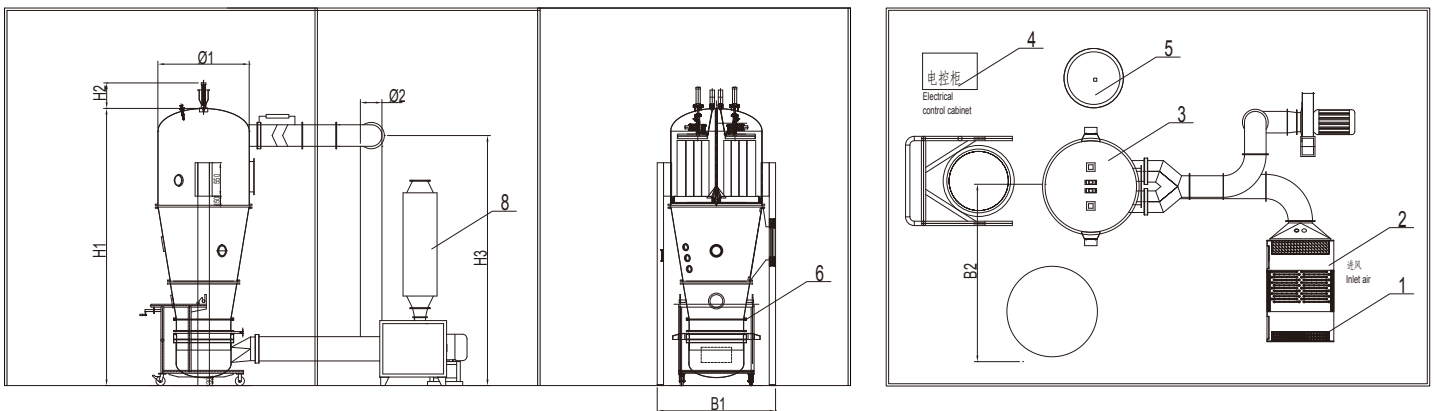
### 技术参数 Technical Data

项目 Item		规格Specification	5	15	30	60	120	200	300-800
投料量Capacity		kg/批kg/batch	4-6	10-20	25-40	40-80	80-150	150-250	按用户要求设计 By client
原料容器容量Container volume		L	15	50	100	220	360	650	
风机功率Power of fan		Kw	4	5.5	7.5	15	18.5	22	
压缩空气 Compressed air	压强Pressure	Mpa	0.6						
	耗量Consumption	m <sup>3</sup> /min	0.4	0.6	0.9	1.3	1.8	2.4	
蒸汽 Steam	压强Pressure	Mpa	0.4-0.6						
	耗量Consumption	Kg/h	9Kw	64	85	181	250	330	
主机尺寸 Size of installation for reference		H1(mm)	2600	2850	3150	3250	3500	3800	
		H2(mm)		340	490	590	790	890	
		H3(mm)		2630	2930	3020	3280	3580	
		B1(mm)	1010	1160	1460	1660	2060	2260	
		B2(mm)	1560	1860	2460	2860	3660	4060	
		Ø1(mm)	550	700	1000	1200	1600	1800	
		Ø2(mm)	180	250	250	280	280	315	
		L(mm)	850	1550	1700	1800	2000	2100	

所有数据仅作参考，视物料情况，本公司拥有变更权利，并不另行通知。

All datas are used for reference only. According to the condition of material, our factory has the right to change but not notice, pardon!

### 外形尺寸图 Chart of overall dimensions



- 1. 空气过滤系统  
Air filtering system
- 2. 加热系统  
Heating system
- 3. 主机  
Main machine
- 4. 输液小车  
Supply liquid trolley
- 5. 控制系统  
Control system
- 7. 引风机  
Fan
- 8. 消声器  
Silencer
- 6. 包衣床  
Coating bed



## LBF 旋流流化床制粒包衣机

LBF TURBOJET FLUID-BED GRANULATOR COATER

本产品2010年通过 CE 认证  
The product got CE certified in 2010



旋流床  
Turbojet bed



### 应用概述 General of applications

★旋流流化床制粒包衣机是将流化床做成叶片式结构的流化床，并使叶片呈一定斜度，让气流从叶片的间隙通过，形成环流状的强大气流，使物料呈旋涡状似的有序运动，同时安装在侧壁的气动喷嘴将粘合剂或包衣液喷入呈旋涡状的物料层，从而将粉体制成颗粒或获得连续均匀的衣膜。

★其广泛用于粉体制粒和粉体、颗粒、丸的薄膜、肠溶、缓控释包衣，以及各种物料的掩味、防潮、防水、着色、隔热、隔离等包衣。

★LBF Turbojet fluid-bed granulator coater has vane-shape bottom of hopper which has a certain lean, let the air flow pass through the rift then form circle-shape strong air flow, it makes material rotate as regular turbojet movement. Meanwhile the pneumatic nozzle installed under left wall spray binder or coating liquid into turbojet material, in this way granulating or coating film can be obtained.

★It is widely used in coating of powder, granule, pellet, enteric-releasing, slow and control releasing, and coating of taste masking, moisture-proof antioxidant, prevent water, heat insulation, coloration and separation etc.

### 设备特点 Features of equipment

★旋流驱动空气分配器，确保物料有序运动。

★旋流流态化，克服了沟流及死角现象。

★制得的颗粒多孔、速溶、真球度高、表面光泽度好、致密性强、不易破碎。

★吸潮性和流动性差的物料也能制成合格的颗粒。

★Rotational flow drives air distributor in order to guarantee that material can move in order.

★Fluidization of rotational flow, it overcomes channel flow and dead corner.

★The prepared granule is porous and can solve quickly, with high sphericity coefficient, good surface luster, certain intensity and is not easy to break.

★It can deal with low moisture-absorb and fluidity material to gain complete granule.



# LBF 旋流流化床制粒包衣机

## LBF TURBOJET FLUID-BED GRANULATOR COATER

本产品2010年通过CE认证  
The product got CE certified in 2010

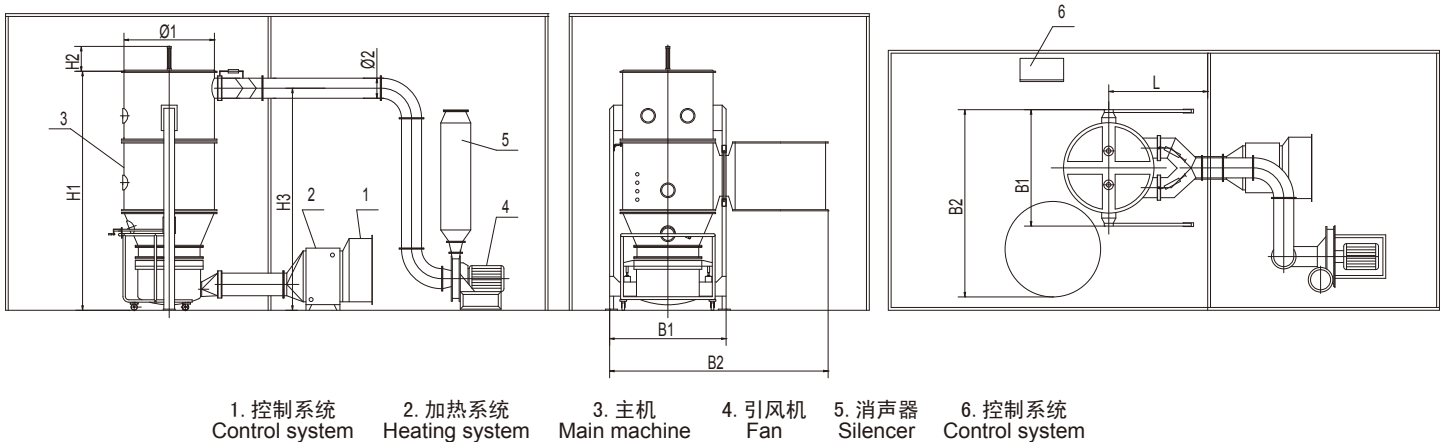
### 技术参数 Technical Data

规格Specification		0.5	5	10	15	30	60	90	120	200	300	500	800-1000
项目Item													
投料量Capacity	kg/批 kg/batch	0.5	5	10	15	30	60	90	120	200	300	500	
风机功率Power of fan	kw	2.2	4	5.5	7.5	11	15	18.5	18.5	22	30	55	
压缩空气 Compressed air	压强Pressure	Mpa 0.6											
	耗量Consumption	m <sup>3</sup> /min 0.45 0.6 0.6 0.6 0.6 0.9 1.1 1.3 1.8 2.4 3											
蒸汽 Steam	压强Pressure	Mpa 0.4-0.6											
	耗量Consumption	Kg/h 6KW 9KW 53 71 95 143 167 183 343 381 450											
主机尺寸 Installation size for reference	H1(mm)	2600	2600	2300	2450	2450	3050	3050	3050	3500	3700	4050	按客户要求 设计  By client
	H2(mm)			250	320	340	490	540	590	690	790	890	
	H3(mm)			2100	2250	2250	2850	2850	2850	3300	3500	3850	
	Ø1(mm)	300	550	550	650	700	1000	1100	1200	1400	1600	1800	
	Ø2(mm)	150	180	180	250	250	280	280	280	280	315	355	
	B1(mm)	1550	1650	1010	1110	1160	1460	1560	1660	1860	2060	2260	
	B2(mm)			1460	1760	1860	2460	2660	2860	3260	3660	4060	
L(mm)		850	1100	1100	1250	1530	1530	1650	1650	1750	1850		

所有数据仅作参考，视物料情况，本公司拥有变更权利，并不另行通知。

All datas are used for reference only. According to the condition of material, our factory has the right to change but not notice, pardon!

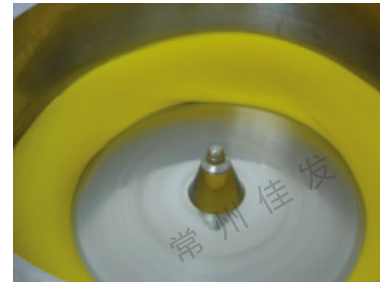
### 外形尺寸图 Chart of overall dimensions





## XLB 旋转流化床制丸(粒)包衣机 XLB ROTOR FLUID-BED PELLETIZER AND COATER

本产品2010年通过 CE 认证  
The product got CE certified in 2010



旋转床  
Rotating bed



制丸喷枪  
Pelleting



### 应用概述 General of applications

★粉末或者母粒在旋转流化床内，受到环隙空气浮力，旋转离心力、自身重力作用，呈环周绳股状，粘合剂或包衣液喷入料层形成真球度极高的丸粒或连续均匀的衣膜。

★Powder or seed granule in rotated fluid will undertaken the action of air flotation force in ring gap, rotating centrifugal force and gravity and appear cycle rope strain shape. Adhesive or coat liquid will be sprayed into the layer of material to form pellet with high degree of ball or continuous and uniform coating film.

### 设备特点 Features of equipment

★集混合，制丸，制粒，干燥为一体，减少工艺步骤及污染环节，降低劳动强度。

★设备内外表面光洁，无死角，利于清洗，符合“GMP”要求。

★Integrating mixing, pelletizing, granulating and drying in one body, reducing the process of technique and contamination and the workload of workers.

★The surface of the equipment is neat and lubricity inside and outside. It's free of blind corner and easy to clean and designed by GMP.





# XLB 旋转流化床制丸(粒)包衣机

## XLB ROTOR FLUID-BED PELLETIZER AND COATER

本产品2010年通过CE认证  
The product got CE certified in 2010

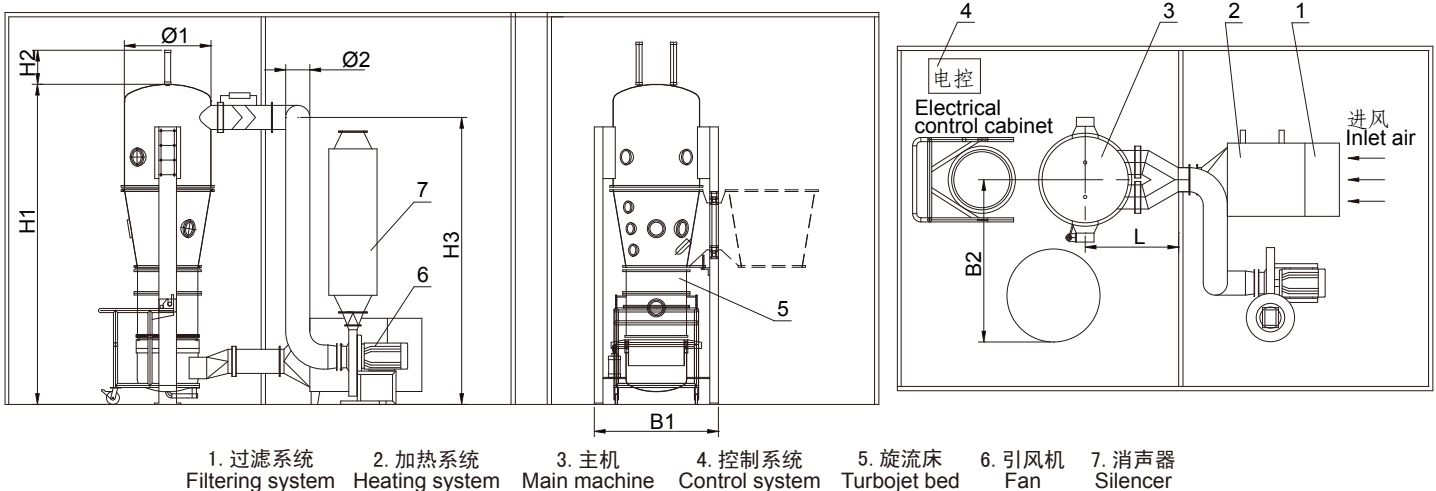
### 技术参数 Technical Data

项目Item		规格Specification	1.5	10	20	30	60	120
原料容器容积Container volume	L		5	30	60	105	180	420
投料量Capacity	kg/批kg/batch		0.5-1.5	3-10	8-20	10-30	20-60	40-120
旋转电机功率Power of rotating motor	kw		0.55	1.5	4	5.5	7.5	11
风机功率Power of fan	kw		4	5.5	7.5	15	18.5	22
蒸汽 Steam	压强Pressure	Mpa	0.4-0.6					
	耗量Consumption	Kg/h	6KW	42	84	166	250	332
压缩空气 Compressed air	压强Pressure	Mpa	0.6					
	耗量Consumption	m <sup>3</sup> /min	0.3	0.6	0.6	1.1	1.8	2.4
主机尺寸 Installation size for reference		H1(mm)	2600	2250	2850	2850	3300	3500
		H2(mm)		320	490	590	690	790
		H3(mm)		2050	2600	2600	3080	3280
		Ø1(mm)	400	700	1000	1200	1400	1600
		Ø2(mm)	180	180	280	280	280	315
		B1(mm)	1650	1160	1460	1660	1860	2060
		B2(mm)		1800	2460	2860	3260	3660
		L(mm)		1250	1530	1650	1650	1750

所有数据仅作参考，视物料情况，本公司拥有变更权利，并不另行通知。

All datas are used for reference only. According to the condition of material, our factory has the right to change but not notice, pardon!

### 外形尺寸图 Chart of overall dimensions





## PGL-B 喷雾干燥制粒机(一步机)

PGL-B SPRAYING DRYER GRANULATOR(ONE-STEP GRANULATOR)



### 应用概述 General of applications

- ★喷雾干燥制粒机适用于中成药制备冲剂、胶囊、片剂颗粒或对颗粒进行包衣。
- ★PGL machine is suitable for Chinese traditional medicine granule, such as capsule and tablet or coating of granule.

### 设备特点 Features of equipment

- ★多流体雾化器，更适用于多糖成分，粘稠性强或热敏性的产品。
- ★喷雾干燥室、捕集室、流化床及二次供风系统等结构进行了重要的修改后，更加贴切的表现出喷雾干燥的特性。
- ★按照“GMP”要求进行设计、制造及布局。
- ★实现连续的浸膏喷雾过程。
- ★操作简便、可靠
- ★提高喷雾干燥效率。
- ★比FL型流化更为稳定，提高了流化干燥强度，克服了“死床”现象。
- ★Multi-fluid atomizer. Particularly it is suitable for material that contains component of amylase and has strong viscosity or theral sensitive product.
- ★The structure of spraying drying chamber, filtering chamber, fluid-bed and secondary air supply system has been improved greatly. It can appear the features of spraying drying deeply.
- ★Designed and manufactured laid out by GMP
- ★Can realize continuous spraying process of immersed paste.
- ★Simple and reliable operation
- ★Improve spraying and drying efficiency
- ★Compared with FL, the fluid-bed is more constant and the adjusted air amount is more reasonable. The drying degree is improved and the “dead bed” is overcome.



# PGL-B 喷雾干燥制粒机(一步机)

## PGL-B SPRAYING DRYER GRANULATOR(ONE-STEP GRANULATOR)

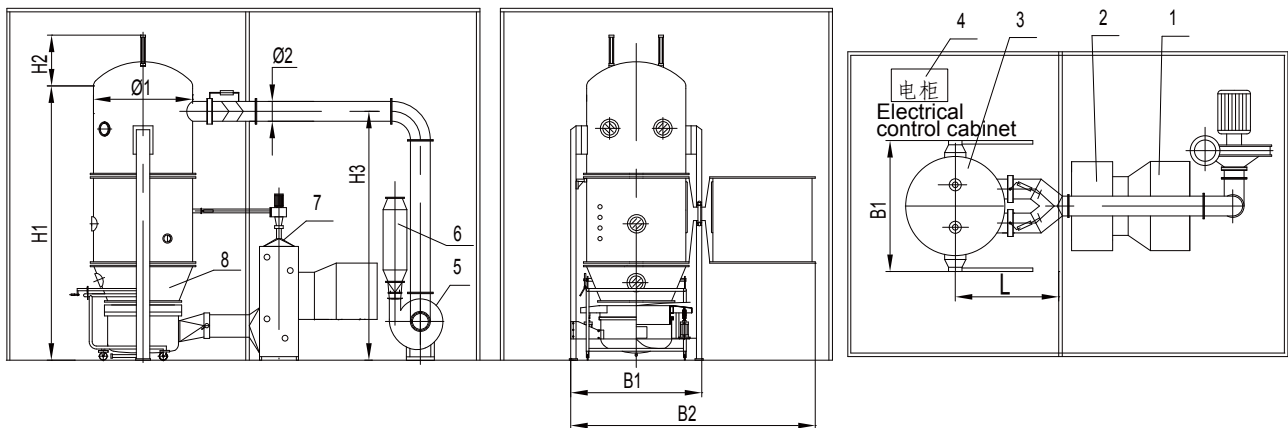
### 技术参数 Technical Data

项目Item		规格Specification	3	5	10	20	30	40	80	120	150
原料容器容积Container volume	L		26	50	100	220	300	420	670	1000	1500
供液量Liquid speed	kg/h		2-4	4-6	6-15	15-25	20-40	30-60	60-100	20-160	100-200
液体比重Specific gravity of liquid	kg/L		≤1.3								
蒸汽 Steam	压强Pressure	Mpa	0.4-0.6								
	耗量Consumption	Kg/h	25	50	120	160	240	280	300	380	465
压缩空气 Compressed air	压强Pressure	Mpa	0.6								
	耗量Consumption	m <sup>3</sup> /min	0.4	0.6	0.9	0.9	1.1	1.1	1.3	1.6	1.8
辅助鼓风机功率Auxiliary blower fan	Kw		0.55	0.75	0.75	1.1	1.5	1.5	1.5	2.2	2.2
引风机功率Power	Kw		3	4	7.5	11	18.5	18.5	22	30	37
主机尺寸 Installation size for reference	H1(mm)		1900	2360	2680	3150	3630	3630	4120	5050	5400
	H2(mm)		190	260	340	490	540	590	690	890	990
	H3(mm)		1680	2140	2460	2930	3410	3410	3900	4830	5180
	Ø1(mm)		400	550	700	1000	1100	1200	1400	1800	2000
	Ø2(mm)		150	180	180	250	280	280	315	355	355
	B(mm)		860	1010	1160	1460	1560	1660	1860	2260	2460
	L(mm)		1050	1050	1250	1400	1450	1500	1600	1800	2000

所有数据仅作参考，视物料情况，本公司拥有变更权利，并不另行通知。

All datas are used for reference only. According to the condition of material, our factory has the right to change but not notice, pardon!

### 外形尺寸图 Chart of overall dimensions



- 1. 空气过滤系统  
Air filtering system
- 2. 主加热系统  
Main heating system
- 3. 主机  
Main machine
- 4. 控制系统  
Control system
- 5. 引风机  
Fan
- 6. 消声器  
Silencer
- 7. 二次进风系统  
Second inlet air system
- 8. 制粒床  
Granulating bed



# GHL 高速混合制粒机

## GHL HIGH SPEED MIXER GRANULATOR

本产品2010年通过 CE 认证  
The product got CE certified in 2010



### 应用概述 General of applications

- ★GHL型高速混合制粒机是一种在一道工序内将不同的粉状物料混合并制成颗粒的高效率设备，广泛应用于制药、食品、化工等行业。
- ★GHL high speed mixer granulator is a high efficiency equipment that can mix different powder materials and granulate granule in one procedure. It is widely used for pharmaceutical industry, foodstuff industry and chemical industry,etc.

### 设备特点 Features of equipment

- ★本机采用卧式圆筒或圆锥形结构，用户可自由选择。
- ★设备内表无死角，密闭状态下工作，符合“GMP”要求。
- ★制粒时间短，高效节能。
- ★制成的颗粒质地均匀，流动性好，为压片工序提供最理想的颗粒状原料。
- ★The machine adopts horizontal barrel(cone) structure. Its structure is reasonable.
- ★The inner surface of equipment has no dead corner. It works at sealed state and conforms to the requirements of GMP.
- ★Short granulating time, high efficiency and energy saving
- ★The character of granule is uniform and the fluidization of granule is good. It provides ideal granule material to tablet pressing procedure.
- ★Compared with traditional process, it can reduce 25% of binder and shorten drying time too.
- ★Each batch needs 2 minutes to dry mixing and 1~4 minutes to granulating. Compared with traditional process, its efficiency can raise 4~5 times.
- ★Whole operation has strict safe protective measures.
- ★It can mix uniformly even when the gravity difference between main material and excipient is very big,without the phenomenon of delamination.
- ★较传统工艺减少25%粘合剂，干燥时间缩短。
- ★每批仅干混2分钟，造粒1~4分钟，功效比传统工艺提高4~5倍。
- ★整个操作具有严格的安全保护措施。
- ★主药与辅料差异大时，仍能达到均匀结合，无分层现象。



# GHL 高速混合制粒机

## GHL HIGH SPEED MIXER GRANULATOR

本产品2010年通过 CE 认证  
The product got CE certified in 2010

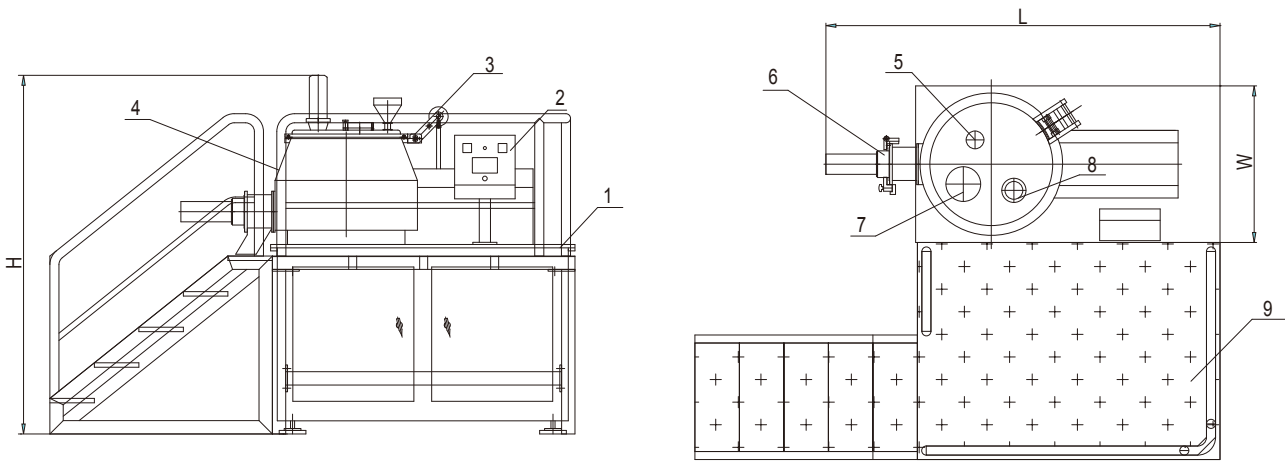
### 技术参数 Technical Data

规格 Specification	7/2.5	10	50	100	150	200	250	300	400	600	800-1500	
项目 Item												
生产能力 Capacity (Kg/批 batch)	0.3-1	3	15	35	50	60	80	100	135	200	按用户 要求设计 By lient	
颗粒粒度(目) Granules size (Mesh)	20-80											
作业时间 Working time (min)	5-7											
容器容积 Container volume (L)	7/2.5	10	50	100	150	200	250	300	400	600		
搅拌电机功率 Mixing power (Kw)	0.75	2.2	4/5.5	6.5/8	6.5/8	11/14	11/14	13/16	18.5/22	22/28		
切刀电机功率 Cutting power (Kw)	0.75	1.1	1.3/1.8	2.4/3	2.4/3	4.5/5.5	4.5/5.5	4.5/5.5	6.5/8	9/11		
搅拌转速 Mixing speed (r/min)	30-1000	30-600	200/400	200/400	180/270	180/270	180/270	140/220	106/155	80/120		
切刀转速 Cutting speed (r/min)	300-3000		1500/3000									
压缩空气压力 Pressure of compressed air (Mpa)	0.3-0.6											
压缩空气耗量 Consumption of compressed air (m <sup>3</sup> /min)	无	0.1	0.11	0.13	0.2	0.25	0.25	0.3	0.4	0.4		
机器重量 Weight (Kg)	150	300	400	800	900	1200	1500	1550	1650	1800		
产品主要尺寸(长×宽×高mm) Overall dimension of machine (L×W×H)	800×450×900	1250×550×1160	1730×750×1610	1950×750×1810	1950×750×1810	2210×880×2000	2210×880×2000	2310×1050×2000	2485×1080×2050	2585×1400×2100		

所有数据仅作参考，视物料情况，本公司拥有变更权利，并不另行通知。

All datas are used for reference only. According to the condition of material, our factory has the right to change but not notice, pardon!

### 外形参考图 Reference drawing of overall dimensions



1. 机箱 2. 控制柜 3. 开盖装置 4. 锅体 5. 排气装置 6. 出料装置 7. 加浆口 8. 观察装置 9. 操作平台  
 Box Control cabinet Open lid device Container/Bowl Air exhaust device Discharge device Add syrup device Observation device Operation platform

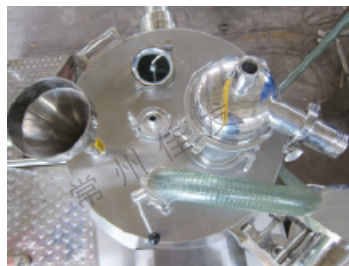


## FLG 封闭制粒干燥机组

FLG SOLID PREPARATION GRANULATOR SERIES



LD 真空连接件  
LD vacuum connection parts



GHL 锅盖(外面)  
GHL cover(outside)



GZL(干整粒)+LD斗  
GZL(Dry mill)+LD Bin



GHL+GZL(湿整粒)  
GHL+GZL(Wet mill)

### 设备特点 Features of equipment

- ★PLC智能控制，自动化程度高，操作维修方便。
- ★全自动密封式上料，卸料系统，管道式联接，快开卡箍式联接方式，无死角，拆卸方便，易清洗。
- ★设备按2bar耐压标准设计，整机各部件有良好的接地方式。
- ★推车式整粒头，安装方便灵活。
- ★全不锈钢制造，与物料接触部分采用316L优质不锈钢制作。

- ★PLC intelligent control, highly automated and convenient for operation and maintenance.
- ★Completely automated airproof material loading, closed type material unloading system, pipeline connection, quick clamp connector, free of blind corner, convenient for dismantling and easy for cleaning
- ★Adopting hoop join and easy to disassemble.
- ★Using trolley-type granular separating apparatus, convenient and flexible for installing.
- ★Completely made of stainless steel and 316L quality stainless steel used for parts exposed to materials.



制粒包衣篇

制粒

制丸

包衣

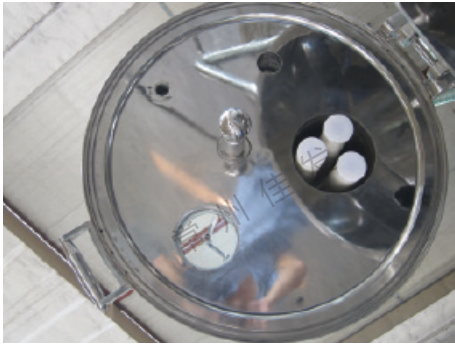
干燥

佳发制粒

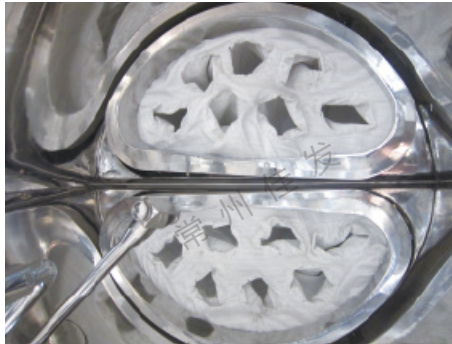
JIAFA GRANULATING

# FLG 封闭制粒干燥机组

FLG SOLID PREPARATION GRANULATOR SERIES



GHL 锅盖(里面)  
GHL cover(inside)



布袋  
Cloth Bag



料斗提升  
Hopper Lifting



在线检测口  
Dop Port



喷枪  
Spray Gun



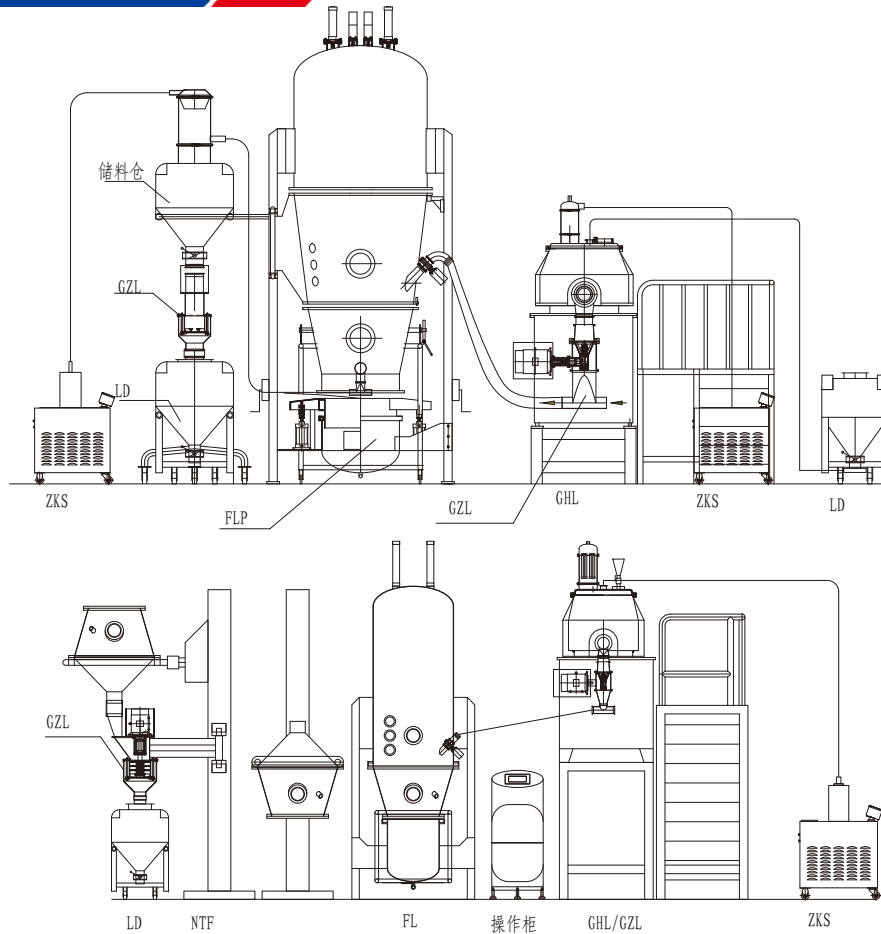
自动上料口  
Automatic Feeding Port



# FLG 封闭制粒干燥机组

## FLG SOLID PREPARATION GRANULATOR SERIES

外形尺寸图 Chart of overall dimensions



技术参数 Technical Data

规格 Specification	FLG-0.5	FLG-5	FLG-30	FLG-60	FLG-120	FLG-150	FLG-250	FLG-300	FLG-500	备注Remarks	
产量 Capacity	0.5	5	30	60	120	150	250	300	500	用户自选 by user	
型号 Model			LD-100	LD-200	LD-300	LD-400	LD-600	LD-800	LD-1200	用户自选 by user	
			ZKS-1	ZKS-1	ZKS-2	ZKS-3	ZKS-3	ZKS-4	ZKS-5	用户自选 by user	
			ZS-350	ZS-515	ZS-800	ZS-800	ZS-1000	ZS-1000	ZS-1200	用户自选 by user	
			ZKS-1	ZKS-2	ZKS-2	ZKS-3	ZKS-4	ZKS-4	ZKS-5	用户自选 by user	
		GHL-3	GHL-15	GHL-100	GHL-200	GHL-400	GHL-500	GHL-800	GHL-1000	GHL-1500	必需 necessary
		GZL-80	GZL-80	GZL-80	GZL-180	GZL-250	GZL-300	GZL-350	GZL-350	GZL-450	必需 necessary
		FG-0.5	FG-5	FG-30	FG-60	FG-120	FG-150	FG-250	FG-300	FG-500	必需 necessary
				ZKS-1	ZKS-1	ZKS-2	ZKS-3	ZKS-4	ZKS-4	ZKS-5	用户自选 by user
				NTF-100	NTF-200	NTF-300	NTF-400	NTF-500	NTF-800	NTF-1000	用户自选 by user
				GZL-80	GZL-180	GZL-250	GZL-300	GZL-350	GZL-350	GZL-450	用户自选 by user
			LD-100	LD-200	LD-300	LD-400	LD-600	LD-800	LD-1200	用户自选 by user	





# KJZ 快速混合制粒机

## KJZ HIGH-SPEED MIXER/GRANULATOR

### 应用概述 General of applications

★广泛适用于医药、食品、化工、冶金、染料等行业进行粉体混合及湿法制粒。

★It is widely used for pharmaceutical industry, foodstuff industry, chemical industry, powder metallurgy industry, dyestuff industry, etc. for powder mixing, wet mixing and granulating.

### 设备特点 Features of equipment

★该机混合均匀，粘合剂用量少，粘合力强。

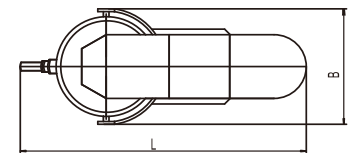
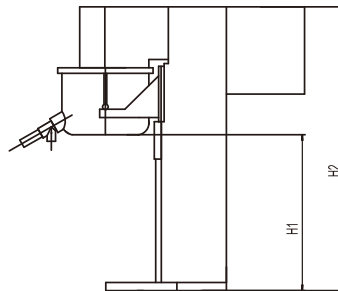
★生产过程密闭无死角，制粒均匀、清洗方便，完全符合GMP要求。

★较卧式湿法具有更为合理的混合效果。

★Mixing uniformly, less amount of binder, strong adhering.

★The productive process is sealed and no dead corner, granulating uniform, easy to clean. It conforms to the requirements of GMP.

★Compared with horizontal cylinder granulating technique, its mixing effect is more reasonable.



### 技术参数 Technical Data

项目Item	规格Specification	10	100	200	400
原料容器容积Container's volume	L	10	100	200	400
工作容量Working volume	L	6	65	130	275
搅拌速度Mixing speed	rpm	430/660	170/255	155/193	106/160
搅拌功率Power of mixing	kw	0.6/1.1	6.5/8	13/16	18/26
绞碎速度Cutting speed	rpm	1410/2850	1400/2800	1500/3000	1500/3000
绞碎功率Power of cutting	kw	0.6/1.5	2.4/3	4.5/5.5	5.5/7.5
主机尺寸 Installation size for reference	H1(mm)	360	1100	1200	1300
	H2(mm)	950	2100	2350	2650
	B(mm)	350	850	1050	1215
	L(mm)	1050	2400	2600	2780

所有数据仅作参考，视物料情况，本公司拥有变更权利，并不另行通知。

All datas are used for reference only. According to the condition of material, our factory has the right to change but not notice, pardon!



## GK系列干式制粒机 GK SERIES DRY GRANULATOR

### 工作原理 Principle of Work

- ★ 该机是直接将粉料制成颗粒的新设备。该机结构新颖合理、性能稳定可靠、清洗维修方便。
- ★ 该机制成的颗粒可以压片剂，做冲剂，灌胶囊等。该机主要用于制药、食品、化工和其它行业造粒。特别适用于湿法无法解决的物料进行造粒。

★ It's a novel set of granulating equipment which can turn powder materials directly into granules or pellets by making use of the water of crystallization in the materials . It has a rational structure and can perform satisfactorily. Besides,it's easy to clean and repair. The finished product by this set of equipment can be pellets , medicine to be taken after being mixed with water , filling granules for capsules and so on. It's widely used in pharmaceutical industry , foodstuff industry, chemical industry and so on. It's especially suitable for granulating those materials which cannot be granulated by using wet method.



### 应用领域 Scope of application

- ★ 医药：压片颗粒，胶囊填充颗粒等。
- ★ 食品：食品制造用颗粒，调味颗粒等。
- ★ 塑料：各种塑料成形颗粒。
- ★ 化工：催化剂、颜料、洗涤剂及其它化工原料等颗粒
- ★ Pharmacy: grains for pressed pill, and for capsule filling grains and etc.
- ★ Food: grains for food manufacturing, for seasoning.
- ★ Plastics: various plastics shaping grains.
- ★ Chemical: catalyst, color, detergent and other grains.



白炭黑



二氯异氰尿酸钠, 三氯异氰尿酸



## GK系列干式制粒机

## GK SERIES DRY GRANULATOR

## 产品特点 Features

- ★ 干粉颗粒密度均匀，溶解度好，成粒率高。
  - ★ 特殊的送料结构，保证有效送料。
  - ★ 轧辊水循环冷却，保证不会出现物料粘辊现象。
  - ★ 不需要水或乙醇等润湿剂，不需要二次加热干燥，工序少，工效高，成本低。
  - ★ 采用先进的电动液压，操作简单可靠，自动化程度高。
  - ★ 密封操作无污染，满足药品卫生要求。
  - ★ 特别适用于湿法无法解决的物料造粒
- ★ The granules made by this set of equipment has an even density, a good solubility and a high producing capacity .
  - ★ Specially designed feeding device is used to cool the rollers in order to make sure there's no materials sticking on the rollers .
  - ★ A water circulating system is used to cool the rollers . So no materials will be sticking on the rollers.
  - ★ Dry powder materials can be granulated directly without adding any mois ture such as water or ethyl alcohol. Besides,it needn't a secondary drying process.Sowith simple working procedure and low production cost, it can achieve high working efficiency.
  - ★ An advanced electric hydraulic system is used , which is easy to operate. So highly automation can be achieved.
  - ★ The whole operation is enclosed without dust pollution , which can meet the hygiene requirement for medicine production.
  - ★ It's especially suitable for granulating those materials which cannot be granulated by using the wet method.

## 技术参数 Technical Data

型号 Model	50	100	120	200	300
生产能力 (kg/批) Producing Capacity(Kg/h)	10-30	30-100	40-120	50-200	100-300
料斗容积 (L) Hopper Capacity	3	5	7	10	15
轧辊宽度 (mm) Roll width	50	100	120	200	280
轧辊压力 (Mpa) Roll Pressure	0-7	0-7	0-7	0-7	0-10
轧辊转速 Roll speed	1-60r/min (变频调速VVVF)				
送料速度 Feeding speed	1-80r/min (变频调速VVVF)				
辊轮驱动电机 (kw) Drive motor for roller	3	7.5	11	13.5	32.7
送料驱动电机 (kw) Drive motor for feeding	1.1	2.2	2.2	3	3
整粒驱动电机 (kw) Drive motor for granulation	1.1	2.2	2.2	3	7.5
油泵驱动电机 (kw) Drive motor for lube pump	0.75	1.1	1.1	2.2	2.2
外形尺寸 长宽高 Dimensions LxWxH	1.2x0.7x1.7	1.8x1.2x2.1	1.8x1.3x2.2	2.1x1.5x2.3	2.2x1.8x2.5
重量 Weight (T)	1	1.5	2	2	3



## BGB 系列高效薄膜包衣机

### BGB SERIES HIGH-EFFICIENCY FILM COATING MACHINE

本产品2010年通过 CE 认证  
The product got CE certified in 2010

#### 应用概述 General of applications

★高效包衣机主要用于制药及食品工业，是片剂、丸剂、糖果等进行有机薄膜包衣、水溶薄膜包衣、缓、控释包衣、滴丸包衣、糖衣包衣及巧克力、糖果包衣的一种高效、节能、安全、洁净、符合GMP要求的机电一体化的包衣设备。

★High Efficiency Coater is mainly used for tablet, pellet, candy to carry out organic film coating, water soluble film coating, slow and control releasing coating, dropping pellet coating, sugar-coating and chocolate, pharmaceutical and foodstuff industry. It is electro-mechanical integration coating equipment and conforms to the requirement of GMP.

#### 设备特点 Features of equipment

- ★恒压变量蠕动泵，取消了回油管。
- ★触摸屏显示。
- ★扩展PLC模块，所有参数均在控制面板设置。
- ★隔音、隔热，对机内起到保温作用。
- ★全密封、负压状态操作。
- ★喷枪（日本岩田）—雾化均匀、喷雾面大，方向可调、喷头无滴漏、无堵塞。
- ★促使物料斜拌、翻滚、交换频繁避免碎片，提高成品率。
- ★Peristaltic pump with constant pressure variable, eliminate reflux pipe.
- ★Display by touch screen.
- ★Expanded PLC module, all parameters are set in control panel.
- ★Sound and heat insulation, it has temperature insulation effect to inside of machine.
- ★Operating at seal and negative pressure state.
- ★Nozzle(from Japan)-uniform atomizing, big area of spraying, adjustable direction, the nozzle has no dropping leakage and block.
- ★Promoting material to stir aslant and writhe. The exchanging frequency is frequence. Therefore it can raise the rate of finished product.



包衣喷枪（日本-岩田）  
Coating spray gun (Japan-Yantian)



有机玻璃门  
Organic glass door



# BGB 系列高效薄膜包衣机

## BGB SERIES HIGH-EFFICIENCY FILM COATING MACHINE

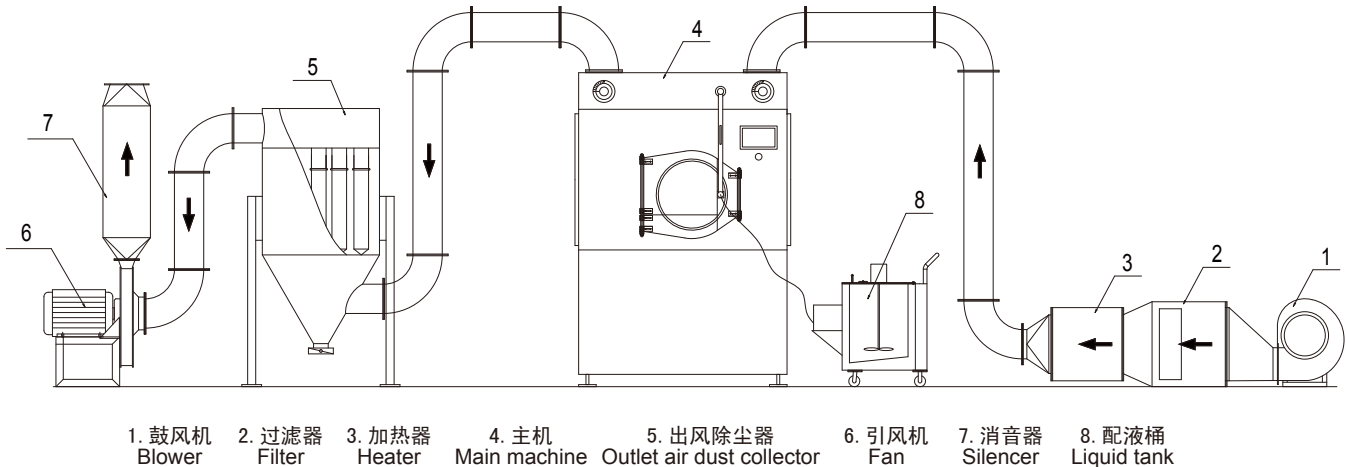
本产品2010年通过 CE 认证  
The product got CE certified in 2010

### 技术参数 Technical Data

项目 Item	规格 Specification	BGB-5	BGB-40	BGB-80	BGB-150
生产能力 (kg/批kg/batch) Capacity		5	40	80	150
滚筒转速 (rpm) Speed of drum		6-30	6-30	3-15	3-15
主机电机功率 (kw) Power of main motor		0.75	1.1	1.5	2.2
高效过滤热风柜电机功率 (kw) Power of motor for high efficiency filtering hot air		0.35	0.55	1.1	1.5
除尘排风机电机功率 (kw) Power of motor for dust removing and air exhaust		2.2	3	3	5.5
主机外形尺寸 (长×宽×高) (mm) Overall dimensions of main machine		810x710x1410	1000x800x1600	1250x990x1880	1570x1260x2060

所有参数仅作参考，视物料情况，本公司拥有变更权利，并不另行通知。  
All datas are used for reference only. According to the condition of material, our factory has the right to change but not notice, pardon!

### 工艺流程 Technical flow





## BGW 高效无孔包衣机

BGW HIGH EFFICIENCY PORELESS COATER



### 应用概述 General of applications

★高效无孔包衣机是用于制药、食品工业的片剂、丸剂、微丸、水丸、滴丸、颗粒等包糖衣、有机薄膜衣、水溶性薄膜衣、缓释、控释包衣，特别适用于中西药片，符合GMP要求。

★High Efficiency Poreless Coater is mainly used for tablet, capsule, pellet, water solving, dropping capsule, granule etc. to carry out organic film coating, water soluble film coating, slow and control releasing coating. Particularly it is suitable for Chinese traditional medicine and western medicine tablet. It conforms to the requirements of GMP.

### 设备特点 Features of equipment

- ★具备了BGB系列高效包衣机的所有特点。
- ★电脑控制、触摸屏显示。
- ★包衣滚筒为无孔结构，能耗低、用途广。
- ★可对 $\varnothing 0.6\text{mm}$ 以上的素芯进行包衣。
- ★有机薄膜衣、水溶性薄膜衣、缓释包衣、控释包衣。
- ★进、排风管可按需要互换。
- ★风桨可根据工艺需要埋入或离开物料。
- ★具有特殊清洗排除装置。
- ★Having all features of BGB Series High Efficiency Coater.
- ★Controlled by computer and displayed by touch screen.
- ★The drum of coating is poreless structure with low energy consumption and wide application.
- ★Can carry out coating to over  $\varnothing 0.6\text{mm}$  of pure core.
- ★Water soluble film coating, slow and control releasing coating.
- ★The inlet pipe and outlet pipe can be exchanged for organic film coating, water soluble film coating, slow releasing coating and control releasing coating in accordance with actual condition.
- ★The air oar can be immersed into and separated from material in accordance with actual condition.
- ★Having special device to clean and drain.



## BGW 高效无孔包衣机

## BGW HIGH EFFICIENCY PORELESS COATER

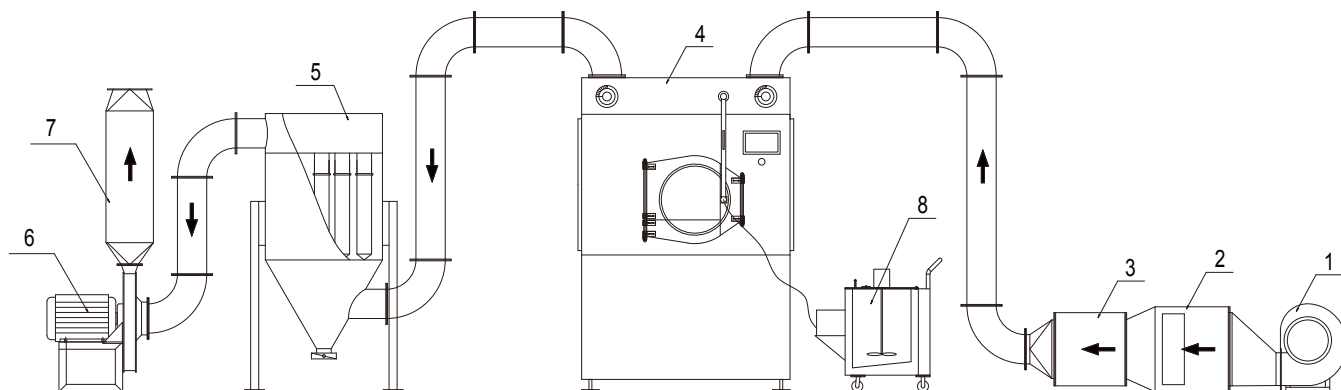
## 技术参数 Technical Data

项目Item	规格Specification	BGW10型	BGW40型	BGW80型	BGW150型
生产能力Capacity (Kg/批 Kg/batch)		10	40	80	150
滚筒转速 (转/分) Speed of drum (rpm)		6-25	5-22	4-19	3-15
主机功率Machine power (Kw)		0.55	0.75	1.5	2.2
主机体积(LxWxH) Machine dimensions (mm)		900×1170×1320	1000×1380×1540	1210×1800×1850	1450×2100×2100
包衣滚筒直径Diameter of coating platen (mm)		Ø600	Ø825	Ø1006	Ø1280
排风柜电机功率Power of air exhaust cabinet motor (Kw)		0.75	2.2	3	5.5
热风柜电机功率Power of hot air cabinet motor (Kw)		0.55	0.75	1.1	1.5
加料口直径Diameter of charger port (mm)		260	340	380	458
风量 Air exhaust flow (m <sup>3</sup> /h)		<700	<2000	<3600	<4500
主机重量Weight of main machine (Kg)		450	550	800	1000
热风柜外型尺寸Overall dimensions of hot air cabinet (LxWxH) (mm)		850×650×1950	900×800×1500	1000×900×1650	900×1000×1650
排风柜外型尺寸Overall dimensions of air exhaust cabinet (LxWxH) (mm)		850×650×1950	820×720×1750	900×820×1850	950×950×1950
洁净压缩空气 Compressed air	压强 Pressure(Mpa)	≥0.4	≥0.4	≥0.4	≥0.4
	耗气量 Air consumption(m <sup>3</sup> /min)	0.2	0.2	0.35	1.5

所有参数仅作参考，视物料情况，本公司拥有变更权利，并不另行通知。

All datas are used for reference only. According to the condition of material, our factory has the right to change but not notice, pardon!

## 工艺流程 Technical flow



1. 鼓风机 Blower 2. 过滤器 Filter 3. 加热器 Heater 4. 主机 Main machine 5. 出风除尘器 Outlet air dust collector 6. 引风机 Fan 7. 消音器 Silencer 8. 配液桶 Liquid tank

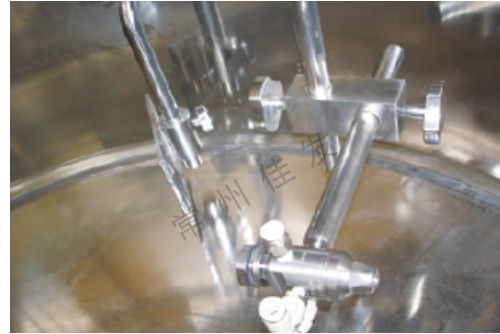


# BZJ 撒粉包衣机

BZJ CENTRIFUGAL GRANULATOR/COATER



喷枪  
Spray gun



挡板  
Damper



包材搅拌罐  
Solution tank



蠕动泵  
Peristaltic pump

## 应用概述 General of applications

- ★粉末物料包衣造粒。
- ★球形颗粒(丸剂)制造。
- ★丸剂包衣(薄膜、肠溶性、保护层)
- ★缓释包衣、造粒。

- ★Powder material's coating and granulating.
- ★Pelletizing.
- ★Pellet coating (film, enteric release, protective layer).
- ★Slow releasing coating, granulating.





# BZJ 撒粉包衣机

## BZJ CENTRIFUGAL GRANULATOR/COATER

### 设备特点 Features of equipment

- ★完成粉末的包衣、造粒。
- ★完成粉、粒、丸的掩味、着色。
- ★完成粉末的包衣获得真球度极高的产品。
- ★完成粉末的包衣液化作业，不易团聚、粘附。
- ★完成粉末的包衣工艺重复性极高。
- ★完成粉末的包衣供液量自动控制，床内温度稳定无飞溅。
- ★完成粉末的包衣粉末自动喷洒，计量准确。
- ★完成粉末的包衣由于离心力的压密作用可处理低密度物料。
- ★完成粉末的包衣制粒(丸)、包衣、干燥一次完成。
- ★设计、制造符合GMP规范，清洗快速、彻底、无交叉污染。

- ★Coating and granulating of powder.
- ★Taste masking and coloring of powder, granule and pellet.
- ★Coating of powder and get high round.
- ★Powder coating, not easy to agglomerate or adhere.
- ★Powder coating and have high repeatability of process.
- ★Auto control of liquid amount to be supplied and the temperature in the bed is constant and no splash.
- ★Auto spraying of coating powder and the measure is accurate.
- ★The coating of powder, as the compact action of centrifugal force, it can treat low density material.
- ★The granulating(pellet),coating and drying can be finished in one body.
- ★The design and manufacture are conformity with GMP requirements. It is quick and full to clean with no cross pollution.

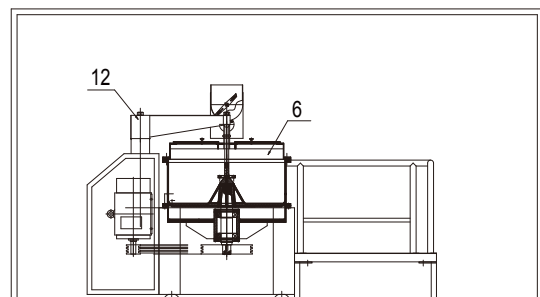
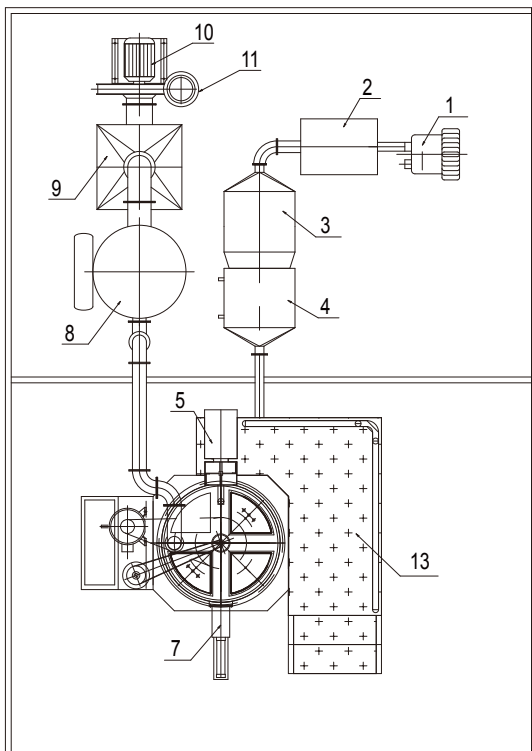
### 技术参数 Technical Data

规格 Specification	项目Item Capacity kg/batch	转子速度 (rpm) Speed of rotor	转子直径 (mm) Dia of rotor	供粉装置电机功率 (kw) Power of motor	风机功率 (kw) Power of fan
360	0.5-1.5	0-650	360	0.37	1.5
750	5-15	0-250	750	1.5	3
1000	10-25	0-180	1000	2.2	5.5
1300	15-35	0-150	1300	4	7.5

所有数据仅作参考，视物料情况，本公司拥有变更权利，并不另行通知。

All datas are used for reference only. According to the condition of material, our factory has the right to change but not notice, pardon!

### 工艺流程 Technical flow

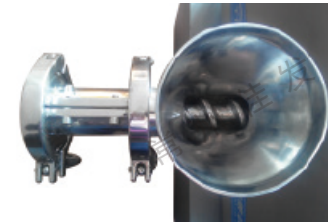


1. 鼓风机 Blower
2. 除湿机 Dehumidifier
3. 进风过滤器 Inlet air filter
4. 加热器 Heater
5. 撒粉装置 Add powder device
6. 主机 Main machine
7. 出料装置 Discharg device
8. 出风除尘器 Outlet air device
9. 出风高效过滤器 HEPA filter
10. 引风机 Fan
11. 消音器 Silencer
12. 提升装置 Lifting device
13. 操作平台 Operation platform



# JW 挤条——抛圆微丸机组

## JW EXTRUDE-SPHEROIDIZING PELLETS SYSTEM



### 应用概述 General of applications

★前道工序制好的湿材物料进行挤条—离心抛圆，完成制丸。

★To extrude and spheroidize the fore head process` wet material on the centrifugal dish and the pellets can be got.

### 设备特点 Features of equipment

- ★挤条—抛圆在一台机器上完成。
- ★抛丸时，可洒入干粉，不易粘连。
- ★成丸表面致密，利于包衣。
- ★成丸粒径均匀，真球度高。
- ★Extruding—spheroidizing in one machine.
- ★No adhesive during spheroidizing as the power is acceded.
- ★The pellet has compact surface and easy for coating.
- ★The size distribution of pellet is narrow and high round.

### 技术参数 Technical Data

规格 Specification	项目 Item	产量 (kg/h) Capacity	成丸直径 (mm) Dia of pellet	装机功率 (kw) Power	外形尺寸 (mm) Overall Dimentions
mini		1~1.5	0.5~3.5	4.2	650x400x720
5		3~5	0.6~3.5	4.2	900x680x1100
10		5~10	0.6~3.5	8.6	1550x950x1350
30		10~30	0.6~3.5	17	1850x950x1400

所有数据仅作参考，视物料情况，本公司拥有变更权利，并不另行通知。

All datas are used for reference only. According to the condition of material, our factory has the right to change but not notice, pardon!



## SJT 双螺杆挤条机

*SJT Double Screw Extruder*



### 应用概述 General of applications

★本设备广泛应用于医药、食品、化工等工业领域的球形造粒。特别在医药领域，是医药控释、缓释微丸制剂的有效工具，可为发展新品种提供设备保障。

★The equipment is widely used for ball shape granulating in pharmaceutical industry, foodstuff industry, chemical industry and so on. Especially in pharmaceutical industry is the efficient tool for control and slow release micro pellets. And it can be used for developing new products.

### 设备特点 Features of equipment

★进料斗、螺旋送料器、挤压器和挤出机头孔板都拆装方便、易于清洗。

★螺杆结构，使物料受旋转的螺杆向前推力的作用被挤压，挤压均匀、因而成型率高、成品颗粒致密；连续作业，生产效率高；可同时为多台滚圆机造丸供料。

★提供多种孔径的筛网，便于调控以获取不同直径挤压物。

★采用变频调速，可在一定范围内调速，以适应不同物料对转速的不同需求，实时调整挤出速度，使挤出效果达到最佳。使品种选择范围更广。

★Feeding hopper, screw feeder, presser, and orifice plate of the extruder head is convenient to separate and easy to clean. Screw structure, material be affected by the impetus of the rotating screw, and be extruded. Extrusion is uniformity, molding efficient is high and surface is compact.

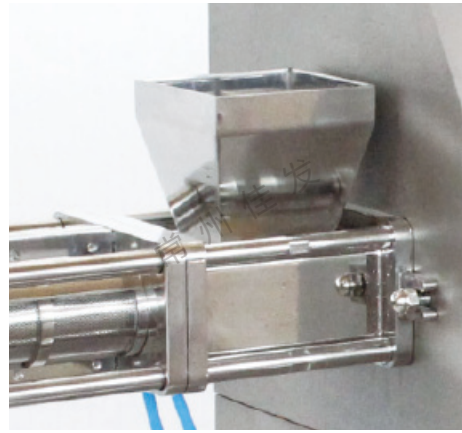
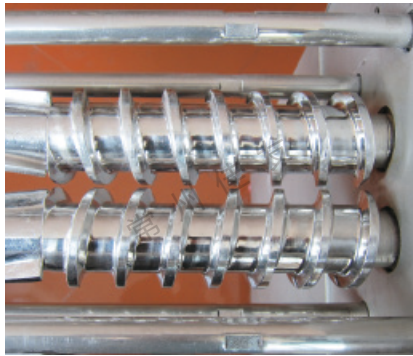
★Working continually, product efficient is high. It can supply material for several pelletizer at the same time.

★Provide sieves with different bore diameter, it is convenient to control so that can obtain column granules with different diameter. Use inverter to adjust the speed, can adjust the speed in a certain range so that can adapt to different speed requirements for different material. Adjusting the speed in time so that can get the best extrusion efficiency and make the selection range wider.



# SJT 双螺杆挤条机

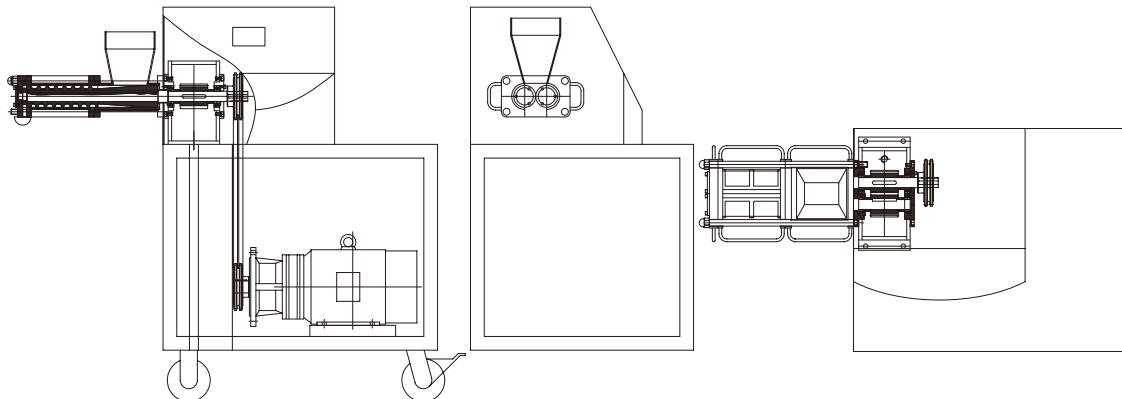
*SJT Double Screw Extruder*



## 技术参数 Technical Data

规格 Specification	项目 Item	产量 Capacity (kg/h)	成丸直径 Dia of pellet (mm)	装机功率 Power(kw)	转速 Speed(rpm)
60		60~80	0.8~3.5	3	0~100
100		80~100	0.8~3.5	7.5	0~100
150		100~150	0.8~3.5	11	0~80
200		150~200	0.8~3.5	18.5	0~60

## 外形参考图 Reference drawing of overall dimensions





## YK-160 湿法制粒机

### YK-160 WET-PROCESS GRANULATING SEPARATOR

#### 设备特点 Features of equipment

★YK-160 湿法制粒机是我厂参照国外同类机型并结合国内制药企业特点研制开发的新一代制粒、整粒设备。与国内普通摇摆颗粒机相比具有占地小，整机结构设计紧凑，简单，设备操作维修简单方便，易拆卸清洗，无死角等优点，符合GMP要求。本机主要由摆辊部分，机体部分，传动部分，旋紧装置等构成。

★YK-160 Wet-Process Granulating Separator is a new product developed by our factory with due reference to similar models produced abroad as well as careful consideration to the characteristics of domestic pharmaceuticals enterprises. Compared with the pendulum convenient for operation and maintenance, easy for disassembly and cleaning, and free of blind corner, and complies with GMP requirements. This machine is mainly composed of pendular roller, main body, transmission system, and tightening device of sieve.

★YK160湿法制粒机传动部分：The Transmission Part

★结构紧凑，功率利用率高，传动力大 Compact construction, high using ratio and drive force.

★YK160推车式制粒机：Trolley-type Granulator

★本机与GHL系列(高效湿法造粒机)和FL(PGL)系列(沸腾制粒干燥机)组成联合机组，形成管道化生产，减少二次污染，生产效率高。

★The machine is combined with GHL series (efficient hydro-granulator) and FLB (Fluidized dry granulator). All of them form the pipeline production, reducing the second pollution, high efficiency.



#### 技术参数 Technical Data

项目Item 规格 Specification	生产能力(kg/h) Production Capacity	电机功率 Power (Kw)	摆辊部分 Pendulum Roller				
			转速(左右旋) Speed(right-and-left rotating)(rpm)	直径 Diameter(mm)	长度 Length(mm)	摆条(根) Pendulum Rod(radix)	摆动角度(度) Pendulum Angle(degree)
单摆辊 Single escapement	60-220	3	60	160	356	7	360
双摆辊 double escapement	200-450	5.5	60	160	356	14	360

所有参数仅作参考，视物料情况，本公司拥有变更权利，并不另行通知。

All datas are used for reference only. According to the condition of material, our factory has the right to change but not notice, pardon!



## XL 旋转式颗粒机

### XL EXTRUDE GRANULATOR



#### 应用概述 General of applications

★本机是通过一组旋转碾刀，将前道工序制成的湿材注入环碾刀的不锈钢筛筒筛孔中，从而制成圆柱状的湿颗粒，供下道工序抛丸使用。本设备可通过更换不锈钢筛筒来取得不同大小的颗粒。

★制湿颗粒也可根据物料和所需球形颗粒的大小。

★This machine adopts one pair of rotating grinding blade to grind form damp material into column-shape granule by stainless steel sieve cylinder which is provided for pelletize in next process. The machine can obtain different size granule by changing the stainless steel sieve.

★It can process wet materials and get different sizes according to material and require ment.

#### 技术参数 Technical Data

项目Item 规格Specification	筛筒孔径 Diameter of sieve (mm)	生产能力 Capacity (kg/h )	电机功率 Power of motor( kw )	外形尺寸 Overall dimensions(mm) ( LxW xH )
250	Ø 0.8 ~ 2.5	60 ~200	4	700 x 500 x 1230
300	Ø 0.8 ~ 2.5	100 ~400	5.5	880 x 630 x 1230

所有数据仅作参考，视物料情况，本公司拥有变更权利，并不另行通知。

All datas are used for reference only. According to the condition of material, our factory has the right to change but not notice, pardon!



## QZL 球形抛丸机

*QZL pelletizer*

### 应用概述 General of applications

★本机是通过设置旋转离心盘、鼓风机、气动喷枪，将湿颗粒制成美丽的球丸。将前道工序做成的湿颗粒投入旋转离心盘内，启动鼓风机后再将旋转离心盘启动，使湿颗粒受到环隙空气浮力、旋转离心力、自身重力作用，呈环周绳股状运动，从而形成真球度极高的球丸。

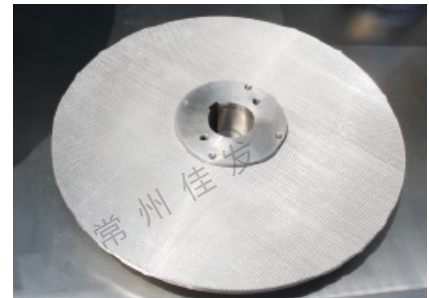
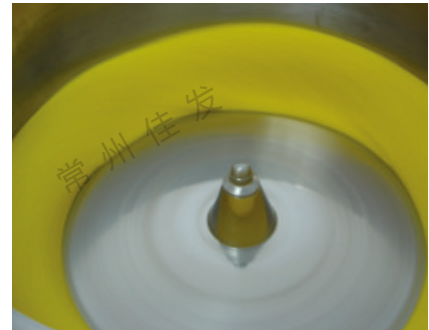
★This machine makes damp granule into beautiful pellet by setting rotating centrifugal disk, blower, and pneumatic nozzle. Feed damp granule into rotating centrifugal disk, start fan then start rotating centrifugal disk. It can make the damp granule undertaken the action of air floating force in ring gap, rotating centrifugal strength and gravity itself, appear circle rope-turning movement and become high-degree ball shape pellet.





# QZL 球形抛丸机

QZL pelletizer



## 技术参数 Technical Data

规格 Specification	230	400	550	700	1000	1300
功率 Power (Kw)	0.75	2.2	3	3.7	5.5	7.5
生产能力 Capacity (kg/h)	2.5-4	5-8	10-50	40-80	70-200	100-300

所有数据仅作参考，视物料情况，本公司拥有变更权利，并不另行通知。

All datas are used for reference only. According to the condition of material, our factory has the right to change but not notice, pardon!





# GFG 高效沸腾干燥机

## GFG HIGH EFFICIENT FLUID-BED DRYER

### 应用概述 General of applications

- ★本机用于制药、化工、饲料、食品等领域湿颗粒物料干燥。
- ★The machine is suitable for drying damp granule material in many fields such as pharmaceutical industry, chemical industry, feedstuff industry, foodstuff industry, etc.

### 设备特点 Features of equipment

- ★流化床为圆形结构避免了死角。
- ★床内设置搅拌，避免了潮湿物料的团聚及干燥过程中形成的沟流。
- ★顶置布袋过滤器为抗静电特种纤维，操作安全。
- ★翻倾卸料，方便迅速彻底。
- ★密封负压操作，按GMP规范设计。
- ★本机亦可按要求进行自动进出料设计制作。
- ★干燥速度快，温度均匀，每批干燥时间一般均在20-30分钟。
- ★Its fluid-bed is round structure. So it avoids dead corner.
- ★In the bed there is stirrer. It avoids agglomeration of damp material and forms channel flow during the period of drying.
- ★The bag filter on the top is made of anti-static special fiber. The operation is safe.
- ★Discharged by turning over. It is quick, and complete.
- ★Operated at sealed negative pressure and designed by GMP.
- ★The machine can also be designed feeding and discharge automatically in accordance with requirements.
- ★Quick drying speed, uniform temperature. In general, the drying time each batch is about 20-30 minutes.





## GFG 高效沸腾干燥机

## GFG HIGH EFFICIENT FLUID-BED DRYER

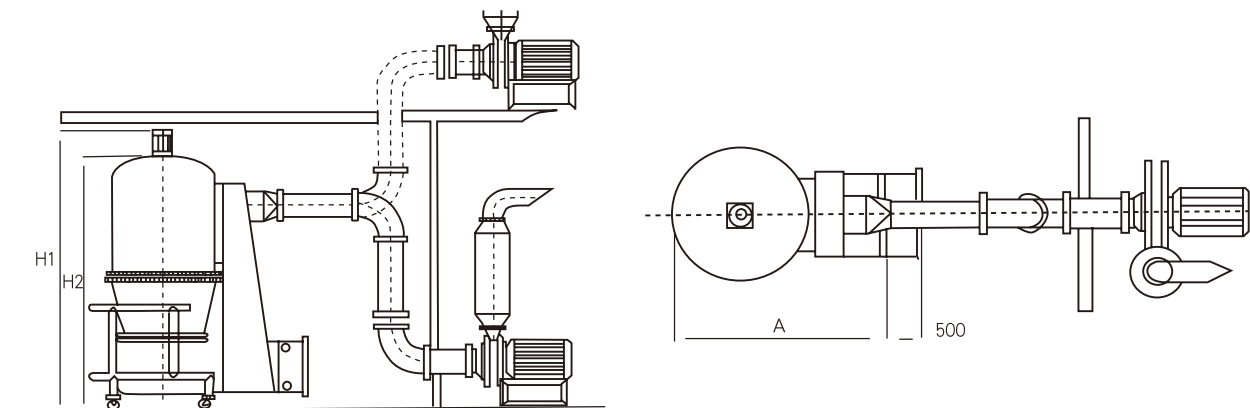
## 技术参数 Technical Data

项目 Item		规格 Specification	60	100	120	150	200	300	500	800-1000
投料量Capacity	kg/批 kg/batch		60	100	120	150	200	300	500	按用户要求设计 By client
风机功率Power of fan	kw		7.5	11	11	15	22	30	37	
搅拌功率Power of stirring	kw		0.55	1.1	1.1	1.1	1.1	1.1	1.5	
搅拌转速Rotating speed of stirring	rpm		11							
蒸汽 Steam	压强Pressure	Mpa	0.4-0.6							
	耗量Consumption	kg/h	141	170	210	240	282	366	451	
操作时间Working time	min/批 min/batch		15-90							
主机尺寸 Installation size for reference	H1	mm	2676	2842	2862	2940	3014	3300	3650	
	H2	mm	2366	2532	2552	2630	2704	2800	3150	
	A	mm	2440	2540	2540	2740	2840	2940	3140	

所有数据仅作参考，视物料情况，本公司拥有变更权利，并不另行通知。

All datas are used for reference only. According to the condition of material, our factory has the right to change but not notice, pardon!

## 安装参考图 Reference drawing of installation





# FG 沸腾干燥机

## FG FLUID-BED DRYER

本产品2010年通过CE认证  
The product got CE certified in 2010

### 应用概述 General of applications

- ★本机适用于粉末或颗粒的干燥，速度为一般烘箱的10-20倍。
- ★The machine is suitable for drying powder or granule. In general, its speed is 10-20 times of common oven.

### 设备特点 Features of equipment

- ★本设备混合、干燥过程在同一设备内完成。质热传递快，在封闭负压下操作，无粉尘飞扬，设备无死角，清洗彻底，无交叉污染，加热可采用蒸汽或电热。采用抗静电过滤材料，滤袋升降以气动方式操作，操作安全，满足GMP卫生规范要求。
- ★The mixing and drying process of the equipment can be finished in one equipment. The transfer of mass and heat is quick. Because of operation at negative pressure, there is no flying dust. The equipment has no dead corner and cleaning is completely and without cross pollution. Its heating source may use steam, or electric heater. It adopts antistatic filtering material. The lift of filtering bag adopts pneumatic operation. So the operation is safe. It meets the requirements of GMP.



### 技术参数 Technical Data

项目Item	规格Specification	30	60	90	120	150	200	300	500	800-1000	
原料容器容积(L) Volume of Container		100	220	300	420	500	670	1000	1500	按用户要求设计  By client	
生产能力(Kg/批) Productive capacity(Kg/batch)		30	60	90	120	150	200	300	500		
蒸汽 Steam	压强Pressure Mpa	0.4-0.6									
	耗量Consumption Kg/h	70	140	169	211	241	282	366	465		
压缩空气 Compressed air	压强Pressure Mpa	0.6									
	耗量Consumption m <sup>3</sup> /min	0.3	0.6	0.6	0.6	0.6	0.9	0.9	1.1		
引风机功率(Kw) Power of fan		5.5	11	15	18.5	22	22	30	45		
进风温度(°C) Inlet air temperature		常温~120°C 自动调节 Normal temperature ~ 120°C automatism adjust									
物料收率(%) Yield of material		>99									
终湿含量(%) Content of final moisture		可达0.2 can dry to 0.2									
噪音(dB) Noise		风机隔离处理不大于75分贝 No more than 75 dB Separated of fan									
主机尺寸 Installation size for reference		请参考FL机型 The same as FL model									

所有数据仅作参考，视物料情况，本公司拥有变更权利，并不另行通知。  
All datas are used for reference only. According to the condition of material, our factory has the right to change but not notice, pardon!



## ZS 离心振动筛

### ZS CENTRIFUGAL VIBRATION SIEVE



#### 设备特点 Features of equipment

- ★ZS型系列分层筛适应于流水作业，是粗细颗粒比例不等过筛连续出料的理想设备。
- ★ZS Centrifugal Vibration Separated Layer Sieve is suitable for flow operation, it is an ideal equipment for granule which the size proportion is not uniform to separate.

#### 技术参数 Technical Data

项目Item	规格Specification	ZS-350	ZS-515	ZS-650	ZS-800	ZS-1000	ZS-1200
生产能力Capacity(kg/h)		50-300	100-500	150-800	180-1000	200-1800	250-2000
过筛目数Meshes(mesh)		12-80	12-80	12-80	12-80	12-80	12-80
电机功率Power (kw)		0.55	0.75	1.1	0.75	1.1	1.5
主轴转速Speed (rpm)		1380	1370	1370	1500	1500	1500
外形尺寸Overall dimensions(mm)		540x540x1060	710x710x1290	880x880x1350	900x900x1200	1100x1100x1200	1300x1300x1200
净重Weight (kg)		100	180	250	300	400	500

所有参数仅作参考，视物料情况，本公司拥有变更权利，并不另行通知。

All datas are used for reference only. According to the condition of material, our factory has the right to change but not notice, pardon!

## GZL 多功能整粒机

### GZL MULTI MILL

#### 应用概述 General of applications

- ★干式、湿式颗粒均匀化、整粒。
- ★团块物料的粉碎、整粒。
- ★湿料制粒。
- ★热敏性物料粉碎。
- ★Dry and damp granule will be uniformity and finishing.
- ★Crushing and finishing granule of mass material.
- ★Granulating for damp material.
- ★Crush thermal sensitive material.



#### 设备特点 Features of equipment

- ★工作时发热小，粉尘少。
- ★定子筛网由不锈钢板加工而成，不易损坏。
- ★粉碎刀与筛网间隙可调。
- ★可处理粘性、树胶状、湿润物料。
- ★When operation, it will less heat and the powder dust is less.
- ★The sieve of stator is made of stainless steel plate. It is not easy to damage.
- ★The gap between crushing blade and sieve can be adjusted.
- ★Can treat material that has adhesive property or is gum state, or heat and damp.

#### 技术参数 Technical Data

项目Item	规格Specification	100	180	300
产量(kg/h) Capacity		20-100	60-150	100-500
功率(kw) Power		0.75	1.5	3
转速(rpm) Rotating speed		180-1050	175-1000	200-900

所有参数仅作参考，视物料情况，本公司拥有变更权利，并不另行通知。

All datas are used for reference only. According to the condition of material, our factory has the right to change but not notice, pardon!



## LPG 高速离心喷雾干燥机

### LPG HIGH SPEED CENTRIFUGAL SPRAYING DRYER

#### 应用概述 General of applications

★喷雾干燥是液体工艺成形和干燥工业中最广泛应用的工艺。最适用于从溶液、乳浊液、悬浮液和可泵性糊状液体原料中生成粉状、颗粒状产品。因此，当成品的颗粒大小分布、残留水分含量、堆积密度和颗粒形状必须符合精确的标准时，喷雾干燥是一道十分理想的工艺。

★Spray drying is a wide applied process in liquid process shaping and drying industry. Particularly it is suitable for producing powder, granule or block solid product from solution, emulsion, suspending liquid and pumped paste liquid. Therefore when the distribution of granule size, final moisture, bulk density, granule shape of finished product must be conformed to accuracy standard, the spray drying is an ideal process.

#### 设备特点 Features of equipment

★干燥速度快，料液经雾化后表面积大大增加，在热风气流中，瞬时就可蒸发95%-98%的水分，完成干燥时间仅需5-40秒钟，特别适用于热敏性物料的干燥。

★产品具有良好的分散性、流动性或溶解性，由于干燥过程是在空气中完成的，所以基本能保持于液滴相近似的球状，良好的分散性、流动性和溶解性，使产品纯度高质量好。

★生产过程简化，操作控制方便。通常用于湿含量40-60%的溶液（特殊物料可达90%）能一次干燥成粉粒产品，干燥后不需粉碎和筛选，减少生产工序，提高产品纯度。对产品粒径，松密度、水份，在一定范围内可通过改变操作条件进行调整，简化了生产工艺流程，控制和管理都很方便。

★Quick drying speed, the surface area of material liquid through atomizing is increased greatly. In hot air stream, 95% to 98% of moisture can be evaporated at the moment. Particularly suitable to finish drying thermal sensitive material.

★The product made by the machine has good uniformity, fluidity, solubility, high pure, and high quality.

★The productive process is simple and the operation control is very convenient. For liquid containing 40-60% of damp(for special material, may be 90%), it can be dried to powder product through drying one time. After dried, it is not necessary to crush and sieve. So it reduces productive procedure and raises the purity of product. For the size, bulk density and moisture of product can be adjusted within certain scope through changing operation condition. The control and management are very convenient.





# LPG 高速离心喷雾干燥机

## LPG HIGH SPEED CENTRIFUGAL SPRAYING DRYER

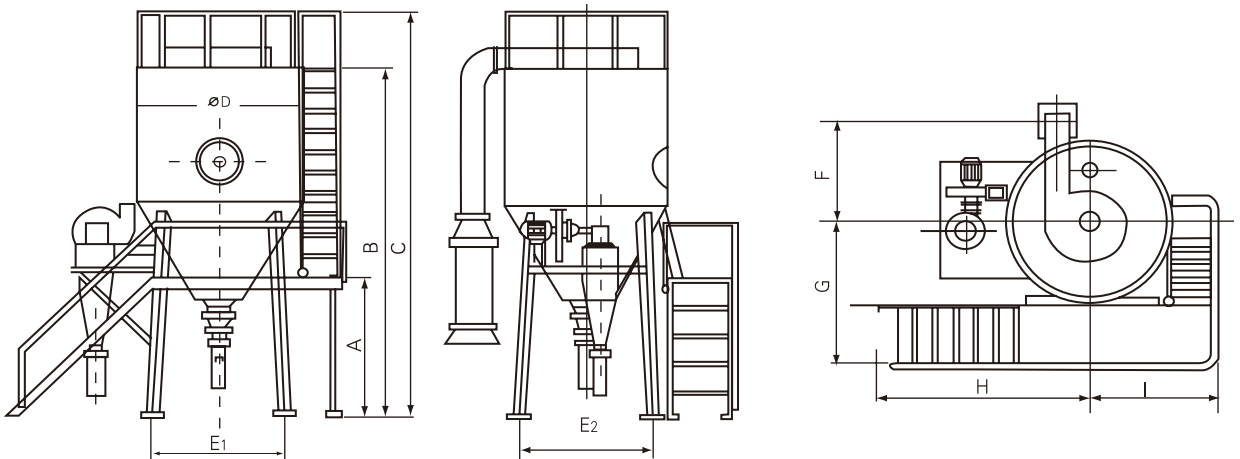
### 技术参数 Technical Data

项目Item	规格Specification	5	25	50	100	150	200-300
入口温度Tep of inlet air		≤350℃					
出口温度Tep of outlet air		≤80℃~90℃					
蒸发量(kg/h)Evaporated capacity		5	25	50	100	150	200-300
传动形式Transmitted	压缩空气驱动 Compressed air	机械传动 (Machine transmission)					
转速(rpm)Rotating speed		25000	22000	21500	18000	18000	15000
喷雾盘直径(mm)Dia.of atomizing disk		50	120	120	120	150	180-340
热源Heat source	电Electricity	电Electricity	电+蒸汽、燃油、煤汽 Electricity+steam,oil fuel,gas		电+蒸汽 Electricity+steam	电+蒸汽、燃油、煤汽 Electricity+steam,oil fuel,gas	
电加热功率(kw)Power of electric heater		9	45	60	81	99	
干粉回收率(%)Yield of dry power		≥95	≥95	≥95	≥95	≥95	≥95
主机 尺寸 Installation size for reference	A(mm)	1000	1290	1730	2500	2800	根据实际 情况确定 Decided in accordance with actual condition
	B(mm)	2100	3410	4245	5300	6000	
	C(mm)	2300	4260	4645	6000	6700	
	ØD(mm)	1060	1800	2133	2560	2860	
	E1(mm)	1050	1200	1640	2100	2180	
	E2(mm)	1050	1200	1640	2100	2180	
	F(mm)	750	1000	1250	1750	1970	
	G(mm)	530	1700	1750	1930	2080	
	H(mm)	530	1300	1800	2600	3050	
I(mm)	530	1550	1600	1780	1960		

所有参数仅作参考，视物料情况，本公司拥有变更权利，并不另行通知。

All datas are used for reference only. According to the condition of material, our factory has the right to change but not notice, pardon!

### 安装参考图 Reference drawing of installation





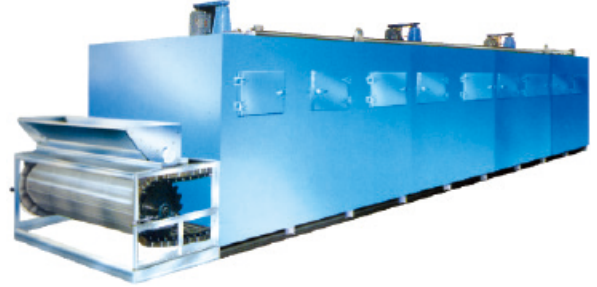
# DW系列带式干燥机

## DW SERIES MESH-BELT DRYER

### 概述 Descriptions

★该机是穿流连续式干燥设备，用于透气性较好的片状，条状，颗粒状物料的干燥，对于脱水蔬菜，中药饮片等含水量高，而温度不允许高的物料尤为合适，该系列干燥机具有干燥速度快，蒸发强度高，产品质量好的优点。对脱水滤饼状的膏状物料，需经造粒或制成棒状后亦可干燥。

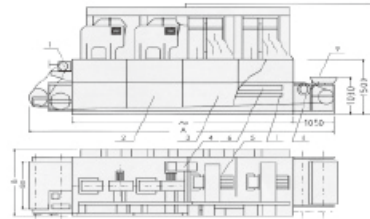
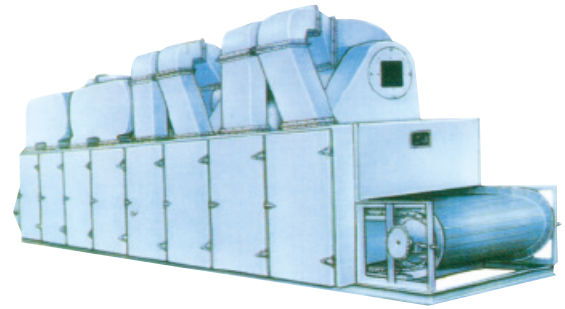
★This machine is a continuous penetrating flow drying equipment applied .For drying pieces strip and particles state materials with good ventilation .the machine is suitable for the materials such as de-watering vegetable, herbal medicine of traditional Chinese medicine and othersfor which the water contents are high and high drying temperature is not allowed. The machine owns the advantages, of fast drying speed, high evaporation capacity and good product quality. The de-watered filtered cake state paste material should be made into particles or strips before drying process.



### 原理 principle

★物料由加料器均匀地铺在网带上，网带一般采用12-60目不锈钢丝网，由传动装置拖动在干燥机内移动。干燥机由若干单元组成，每一单元热风独立循环，部分尾气由专门湿风机排出，废气由调节阀控制，热气由下往上或由上往下穿过铺满物料的网带完成热量与质量传递的进程，带走物料的水份。网带缓慢移动，运行速度可根据物料温度自动调节，干燥后的成品连续落入收料器中。上下循环单元根据用户需要可灵活配备，单元数量亦可根据需要选取

★The materials are uniformly distributed on the mesh-belt by the material feeder. The mesh-belt Generally adopts 12-60 mesh stainless steel mesh and it is drawn by a transmission device and move inside the dryer . the dryer is composed of several sections. For each section the hot air is circulated separately .part of exhausted gas is exhausted by a special moisture exhaust blower . the waste gas is controlled by an adjustment valve. The hot air passes thuyogh the mesh-belt covered with bring water material away. The mesh-belt moves slowly, running speed can be freely adjusted according to the material property. The final products after the drying process will fall into the material collector continuously . the top and low circulation units can be freely equipped according to the user requirements .the number of section might be selected according to the production demands.



- 1. 进风排湿器 1. Gasflow exhauster
- 2. 空器排湿 2. Lower circulating section
- 3. 上器排湿 3. Upper circulating section
- 4. 排湿风机 4. Moisture exhaust fan
- 5. 物料风机 5. Circulating fan
- 6. 分料器 6. Sub-fan
- 7. 加湿器 7. Heater
- 8. 传动系统 8. Drive system
- 9. 加料器 9. Feeder

### 技术参数 Technical Data

型号 Model	DW-1.2-8	DW-1.2-10	DW-1.6-8	DW-1.6-10	DW-2-8	DW-2-10
单元数 Numbers of units	4	5	4	5	4	5
带宽 (Bo) Belt width(m)	1.2		1.6		2	
干燥段长 (Ao) Drying length(m)	8	10	8	10	8	10
辅料厚 Material spreading thickness(mm)	≤60					
使用温度 Applied temperature(℃)	50-140					
蒸汽压 Steam pressure(MPa)	0.2-0.6					
蒸汽耗量 Steam consumption(kg/h)	120-300	150-375	150-375	170-470	180-500	255-600
干燥时间 Drying time(h)	0.2-1.2	0.25-1.5	0.2-1.2	0.25-1.5	0.2-1.2	0.25-1.5
干燥强度 Drying strenght (kg H <sub>2</sub> O/m <sub>2</sub> -h)	6-20	6-20	6-20	6-20	6-20	6-20
风机数量 Number of fans	5	6	5	6	5	6
风机总功率 Total power of the fan(kw)	9.9	12.1	9.9	12.1	9.9	12.1
设备总功率 Total power of the equipment(kw)	11.4	13.6	11.4	13.6	11.4	13.6
外形尺寸 Overall dimensions	A (mm)	10.05	12.05	10.05	12.05	10.05
	B (mm)	1.5	1.5	1.91	1.5	1.5
	C (mm)	3.15	3.15	3.15	3.15	3.15
重量 Total weight(kg)	4800	5780	5400	6550	6325	7800



# DW系列带式干燥机

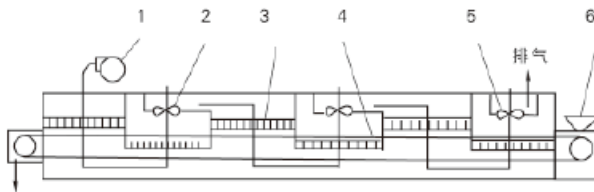
## DW SERIES MESH-BELT DRYER

### 应用 Applications

★脱水蔬菜、颗粒饲料、味精、椰蓉、有机颜料、合成橡胶、丙稀纤维、药品、药材、小木制品、塑料制品、电子原器件老化、固化等。

★De-watering vegetable , particle feed ,gourmet Powder,shredded coconut stuffing,orcolor,compound rubber, acral fiber, medicine product, medicine material, small wooden product, plastic product, Aging and solidification for the electronic component and device

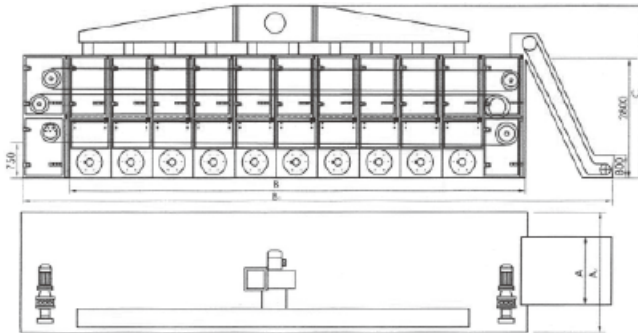
DWT 型



- 1、送气风机 2、循环风机 3、蒸汽加热器
- 4、输送带 5、排气风机 6、加料斗
- 1.inter air blower                    4.transmission belt
- 2.circulation air blower            5.air exhaust fan
- 3.steam heater                        6.feeding hopper

型号 Model	DWT- I	DWT- II	DWT- III	
带宽 (Bo) Belt width(m)		1.6		
干燥段长 (Ao) Drying length(m)	8	12	16	
使用温度 Applied temperature(°C)		50-140		
蒸汽压力 Steam pressure(MPa)		0.2-0.6		
换热面积 Heat exchange area (m <sup>2</sup> )	300-500	400-600	500-800	
干燥时间 Drying time(h)		0.2-1.2		
风机功率 Total power of the fan(kw)		0.75		
风机数量 Number of fans	3	4	3	
外形尺寸 Overall dimensions	长 L (m)	10	14	18
	宽 W (m)	1.806	1.806	1.806
	高 H (m)	1.900	1.900	1.900

DW3-B 型



型号 Model	DW3-1.2-8B	DW3-1.2-10B	DW3-1.6-8B	DW3-1.6-10B	DW3-2-8B	DW3-2-10B
单元数 Numbers of units	8	10	8	10	8	10
干燥段长 (Ao) Drying length(m)	24	30	24	30	24	30
辅料厚 Material spreading thickness(mm)	≤60					
使用温度 Applied temperature(°C)	50-140					
蒸汽压 Steam pressure(MPa)	0.2-0.6					
蒸汽耗量 Steam consumption(kg/h)	240-550	300-750	300-750	340-950	350-1000	450-1000
干燥时间 Drying time(h)	0.2-1.2	0.25-1.5	0.2-1.2	0.25-1.5	0.2-1.2	0.25-1.5
干燥强度 Drying strenght (kg H <sub>2</sub> O/m <sub>2</sub> -h)	6-20	6-20	6-20	6-20	6-20	6-20
设备总功率 Total power of the equipment(kw)	21.7	26.1	21.7	27.2	29.2	35.2
外形尺寸 Overall dimensions	A (m)	1.2	1.2	1.6	1.6	2.0
	A1 (m)	2.1	2.1	2.8	2.8	3.2
	B (m)	8.0	10.0	8.0	10.0	8.0
	B1 (m)	12.5	14.5	12.5	14.5	12.5
	C (m)	3.5	3.5	3.5	3.5	3.6





# YPL 压力喷雾干燥造粒机

## YPL PRESSURE SPRAY DRYER/GRANULATOR

### 应用概述 General of applications

★本机是将料液压入压力喷嘴雾化成微小雾滴，在塔内与热风以对流的方式完成干燥，获得颗粒产品。

★The machine can press liquid material into centrifugal nozzle to spray micro fog drops that will drying in the tower relying on convective flow with hot air.

### 设备特点 Features of equipment

★该机收尘效率高。

★无粘壁现象。

★节能高效。

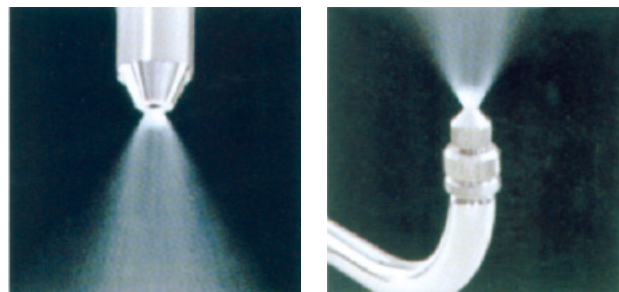
★特别适用于热敏性物料。

★The machine has high efficiency to collect dust.

★Without the phenomenon of adhering wall.

★Energy saving and high efficiency.

★Particularly it is suitable for thermal sensitive material.



### 技术参数 Technical Data

规格Specification	YPL-1600	YPL-1800	YPL-2500	YPL-2800	YPL-3400	YPL-4000	YPL-5200	YPL-6000
项目Item								
进风温度 (°C) Temperature of inlet air	150-300	150-300	150-300	150-300	150-300	150-300	150-300	150-300
排气温度 (°C) Temperature of outlet air	75-80	75-80	75-80	75-80	75-80	75-80	75-80	75-80
水蒸发量 (kg/h) Capacity of water vaporize	80-200	110-250	140-320	160-350	200-420	260-552	350-750	440-900
塔径 (mm) Dia of tower	1600	1800	2500	2800	3400	4000	5200	6000
占地面积 (m <sup>2</sup> ) Occupied area	8-13	8-17	24-38	32-40	44-63	52-74	63-80	72-95

所有数据仅作参考，视物料情况，本公司拥有变更权利，并不另行通知。

All datas are used for reference only. According to the condition of material, our factory has the right to change but not notice, pardon!



# QPG气流喷雾干燥机

## QPG AIR SPRAY DRYER

### 应用概述 General of applications

★喷雾干燥是液体工艺成形和干燥工业中最广泛应用的工艺。最适用于从溶液、乳浊液、悬浮液和可泵性糊状液体原料中生成粉状、颗粒状产品。因此，当成品的颗粒大小分布、残留水分含量、堆积密度和颗粒形状必须符合精确的标准时，喷雾干燥是一道十分理想的工艺。

★Spray drying is a wide applied process in liquid process shaping and drying industry. Particularly it is suitable for producing powder, granule or block solid product from solution, emulsion, suspending liquid and pumped paste liquid. Therefore when the distribution of granule size, final moisture, bulk density, granule shape of finished product must be conformed to accuracy standard, the spray drying is an ideal process.

### 设备特点 Features of equipment

★干燥速度快，液料经雾化后表面积大大增加，在热风气流中，瞬时可蒸发95%—98%的水份，完成干燥时间仅需约数秒时间，特别适用于热敏性物料的干燥。

★压缩空气雾化，对黏性物体特别适合。

★生产过程简化，操作控制方便。通常用于湿含量40-60%的溶液（特殊物料可达90%）能一次干燥成粉粒产品，干燥后不需粉碎和筛选，减少生产工序，提高产品纯度。对产品粒径，松密度、水份，在一定范围内可通过改变操作条件进行调整，简化了生产工艺流程，控制和管理都很方便。

★Quick drying speed, the surface area of material liquid through atomizing is increased greatly. In hot air stream, 95% to 98% of moisture can be evaporated at the moment. Particularly suitable to finish drying thermal sensitive material.

★Compressed air atomizing, it is used for sticky solution.

★The productive process is simple and the operation control is very convenient. For liquid containing 40-60% of damp (for special material, may be 90%), it can be dried to powder product through drying one time. After dried, it is not necessary to crush and sieve. So it reduces productive procedure and raises the purity of product. For the size, bulk density and moisture of product can be adjusted within certain scope through changing operation condition. The control and management are very convenient.



### 技术参数 Technical Data

项目 Item	规格 Specification	5	25	50	100	150	200
蒸发量(kg/h) Evaporated capacity	Δt=150°C-90°C	1.5	7.5	15	30	45	60
	Δt=200°C-100°C	2.5	12.5	25	50	75	100
	Δt=250°C-100°C	3.75	18.75	37.5	75	112.5	150
	Δt=300°C-100°C	5	25	50	100	150	200
	Δt=350°C-110°C	6	30	60	120	200	240
压缩空气 Compressed air		0.9	0.9	1.1	1.5	2.7	3.4
压缩气压 Pressure of air Mpa		0.4	0.6		0.7		
热源 Heat source		电、电+蒸汽、燃煤(油)热风炉					
供热量 Heating capacity 10 <sup>3</sup> KCal/h		1	5	10	20	30	40
风机功率 Power KW		0.75	4	7.5	11	15	18.5

所有数据仅作参考，视物料情况，本公司拥有变更权利，并不另行通知。

All datas are used for reference only. According to the condition of material, our factory has the right to change but not notice, pardon!



# XSG 旋转闪蒸干燥机

## XSG ROTATING FLASH DRYER

### 应用概述 General of applications

★XSG旋转闪蒸干燥机是用来干燥膏糊状、滤饼状以及粉状等物料的新型干燥设备。

★XSG rotating flash dryer is used for drying materials such as paste, cake shape material, powder, granule, etc.

### 设备特点 Features of equipment

★由于物料受到离心、剪切、碰撞、摩擦而被微粒化呈高度分散状态及气固间的相对速度较大，强化了传质传热，使该机生产强度高。

★干燥气体进入干燥机底部，产生强烈的旋转气流，对器壁上物料产生强烈的冲刷带出作用，消除粘壁现象。

★在干燥机底部高温区，热敏性物料不与热表面直接接触，解决了热敏性物料的焦化变色问题。

★由于干燥室内周向风速高，物料停留时间短，达到高效、快速、小设备大生产。

★干燥室上部的分级器可以控制出口物料的粒度及湿度。



★The material is acted by centrifugal force, shearing force, impact and friction, the particle is very small and is in high degree distributing state. Meanwhile the relative speed between air and solid is big, it strengthens mass and heat transmission. So it makes the machine has high output.

★The hot air will enter the bottom of the dryer and produce vigorous eddy airflow. it will produce strong washing out and bring out effect to material and eliminate the phenomenon of adhering wall.

★At the area of high temperature at the bottom of dryer, thermal sensitive material does not contact with hot surface. It solves coking and discoloring problem of thermal sensitive material.

★Because of high cycle speed and short staying time of material in drying chamber, high efficiency and big production of small equipment can be got.

★There is eddy piece in drying chamber. It can control moisture of material at lowest level.

★The distributor at upper of drying chamber can control size and temperature of material at outlet.

### 技术参数 Technical Data

项目 Item 规格 Specification	干燥器筒体直径(mm) Dia of dryer	主机尺寸(mm) Size of main machine	主机功率(Kw) Power of main machine	处理风量(m <sup>3</sup> /h) Volume of air	蒸发水量(kg.H <sub>2</sub> O/h) Vaporized capacity	占地平面尺寸(mm) Occupied area
XSG-2	Ø200	Ø300x2800	0.75-2.2	300-800	10-20	3500x2500
XSG-3	Ø300	Ø400x2800	1.5-3	600-1500	20-50	3800x2700
XSG-4	Ø400	Ø500x3000	3-4	1250-2500	25-70	4000x3000
XSG-5	Ø500	Ø600x3200	5.5	1500-4000	30-100	4200x3200
XSG-6	Ø600	Ø700x3500	5.5-7.5	2500-5000	40-150	4250x3250
XSG-8	Ø800	Ø900x4000	7.5	3000-8000	60-200	4500x3500
XSG-10	Ø1000	Ø1100x4500	7.5-11	5000-12500	100-300	4750x3750
XSG-12	Ø1200	Ø1300x5000	11-15	10000-20000	150-500	5000x4000
XSG-14	Ø1400	Ø1500x5500	15-18.5	14000-27000	200-600	5250x4250
XSG-16	Ø1600	Ø1700x6000	22	18700-36000	250-800	5500x4500

所有参数仅作参考，视物料情况，本公司拥有变更权利，并不另行通知。

All datas are used for reference only. According to the condition of material, our factory has the right to change but not notice, pardon!



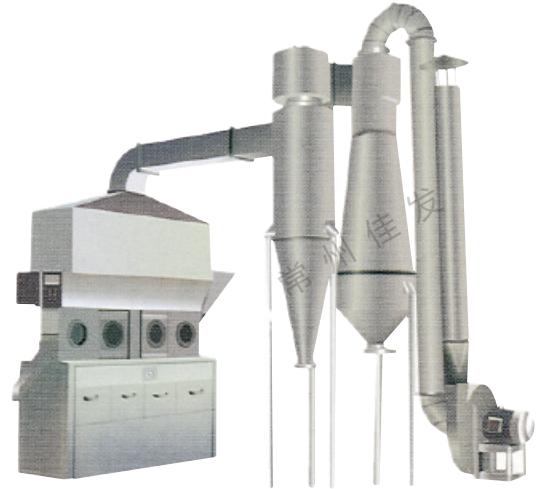
## XF 沸腾干燥机

### XF FLUID-BED DRYER

#### 应用概述 General of applications

★它适用于粉粒状物料的干燥，如：医药药品中的原料药，压片颗粒药、中药冲剂、化工原料中的塑料树脂、柠檬酸和其它粉状、颗粒状物料的干燥除湿，还用于食品饮料冲剂，粮食加工、玉米胚芽、饲料等的干燥。物料的粒径一般可达0.1-6mm,最佳为0.5-3mm。

★It is suitable for drying powder and granule material such as raw material in pharmaceutical industry, granule material for pressing tablet, infusion of Chinese medicine; in chemical industry, drying and damp removing of citric acid, other powder and granule shape materials. It can also be suitable for food, drinking infusion, etc; in grain process, drying maize embryo, feedstuff and so on. In general the maximum size of material may reach 0.1~6 mm. The best is 0.5~3 mm.



#### 技术参数 Technical Data

项目 Item 规格 Specification	蒸发能力 (水) (H <sub>2</sub> O. Kg/ h) Vaporize capacity	风机功率 (Kw) Power of fan	风压 Pressure of fan (Kpa)	风量 Volume of air (m <sup>3</sup> /h)	进风温度 (°C) T of air inlet	蒸气耗量 Steam (Kg/h)	主机尺寸 (m) Overall dimensions		
							A型	B型	C型
XF-10	10--15	7.5	5.5	1500	60-200	50	4x3.5x3.2	3.5x3.5x3	5x3.5x3.5
XF-20	20--25	7.5	5.8	2000	60-200	80	4.5x4x4.2	4x4x3.2	6x4x4.5
XF-30	30--40	15	7.1	3850	60-200	150	5x4x4.8	4x4x4.2	6x4x5
XF-50	50--80	30	8.5	7000	60-200	250	5x4.8x5	5x4.8x4.5	6x4.8x5

所有数据仅作参考，视物料情况，本公司拥有变更权利，并不另行通知。

All data are used for reference only. According to the condition of material, our factory has the right to change but not notice, pardon!



## FG、QG、JG 气流干燥机

FG, QG, JG FLUID-BED DRYER

## 应用概述 General of applications

★气固两相高度分散状态进行对流干燥达到除去水份的目的。

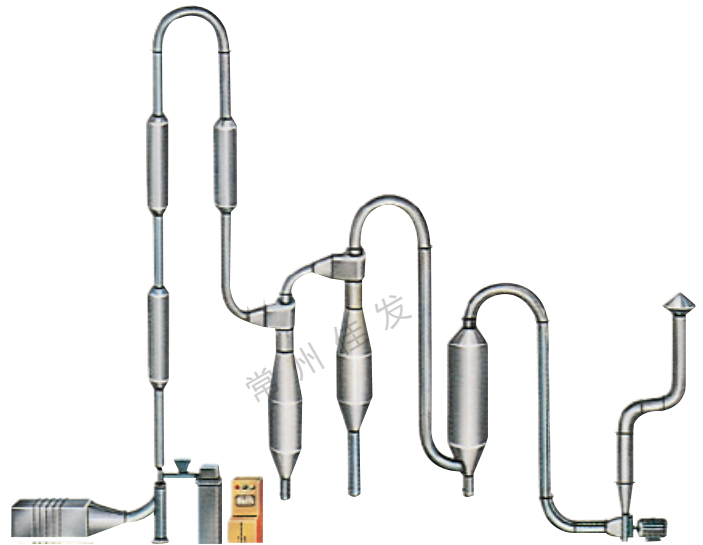
★Good state of distribution between air and solid phase carries out convective dry in order to remove moisture.

## 工作原理 Principle of work

★在旋流干燥器内气流夹带物料从切线方向进入，沿着内壁形成螺旋运动，物料在气流中均匀分布与旋转扰动，强化了干燥过程，凡能用气流干燥的物料，旋流气流干燥器均能适应，特别对憎水性，颗粒小，不怕粉碎和热敏性物料尤为适用。

视物料特性，如粉尘回收可采用脉冲布袋除尘，回收率可达99%。

★Air stream carries raw material to enter the eddying flow air stream drier in the direction of tangent and to form helix movement along with the inner wall. Because raw material distributes uniformly in the air stream and helix with air stream can be dried with the eddying flow air stream drier, particularly it is suitable for raw materials that are hydrophobic behavior, small granule, thermal sensitivity and not afraid of broken. It depends on material, for example, dust recycle can be realized by cloth bag, its recycle can reach to 99%.



## 技术参数 Technical Data

项目Specification 规格Item	蒸发水份(kg/h) Evaporated capacity	装机功率(kw) Total power	占地面积发(m <sup>2</sup> ) Occupied area	高度(m) Height
QG50	50	7	20	9
QG100	100	13	32	11
QG200	200	21	40	11
QG250	250	24	64	13
QG500	500	43	96	13
QG1000	1000	100	120	15
QG1500	1500	150	200	16

所有参数仅作参考，视物料情况，本公司拥有变更权利，并不另行通知。

All datas are used for reference only. According to the condition of material, our factory has the right to change but not notice, pardon!



## CT、CT-C 热风循环烘箱

## CT, CT-C HEAT CYCLE OVEN

## 应用概述 General of applications

★烘箱的最大特点是大部分热风在箱内进行循环，从而增加传热，节约了能源。它是利用强制通风的作用，减少上下温差，我公司出厂的烘箱，均设有分风装置，用户可在使用前进行风叶调节，使上下温差处于最佳状态。

★The most remarkable feature of the oven is that most hot air cycles in the over. So it increases heat transferring and saves energy. It uses the function of forcible ventilation to reduce temperature difference between low and up. The over delivered by our factory has air distributor. Before using, customer can adjust fan blade and make it is at best state.



## 技术参数 Technical Data

项目 规格 Specification	每次干燥量(kg) Dry capacity each time	配用功率(kw) Equipped power	耗用蒸汽(kg/h) Consumption of steam	散热面积(m <sup>2</sup> ) Radiation area	风量(m <sup>3</sup> /h) Volume of air	上下温差(°C) T difference between up and low	配用烘盘 baking disk	外形尺寸宽×深度×高(mm) Overall dimensions	配套烘车 baking dolly
CT-I	100	1.1	20	20	1400	±2	48	2430x1200x2375	2
CT-II	200	1.1	40	40	5200	±2	96	2430x2200x2433	4
CT-III	300	2.2	60	80	9800	±2	144	3430x2200x2620	6
CT-IV	400	2.2	80	100	9800	±2	192	4380x2200x2620	8
CT-C-O	25	0.45	15	15	3450	±2	16	1550x1000x2044	0
CT-C-I	100	0.45	20	20	3450	±2	48	2300x1200x2300	2
CT-C-II	200	0.9	40	40	6900	±2	96	2300x2200x2300	4
CT-C-III	300	1.35	60	80	10350	±2	144	2300x3220x2000	6
CT-C-IV	400	1.8	80	100	13800	±2	192	4460x2200x2290	8

所有参数仅作参考，视物料情况，本公司拥有变更权利，并不另行通知。

All datas are used for reference only. According to the condition of material, our factory has the right to change but not notice, pardon!



# ZQG 振动流化床干燥机

## ZQG VIBRA FLUID-BED DRYER

### 设备特点 Features of equipment

- ★振动源是采用振动角电机驱动，运转平稳，维修方便，噪音低，寿命长。
- ★流态化匀称，无空隙和吹穿现象，可以获得均匀的干燥、冷却制品。
- ★可调性好，适应面宽，料层厚度和在机内移动速度以及全振幅变更均可实现无级调节。
- ★对物料表面的损伤小，可用于易碎物料的干燥，物料颗粒不规则时亦不影响工作效果
- ★采用全封闭式结构，有效的防止了物料与空气交叉感染，作业环境清洁。
- ★机械效率与热效率高，节能效果好，比一般的干燥装置可节能30-60%。



- ★The vibration source is vibration motor. It features constant operation, convenient maintenance, low noise and long life.
- ★Uniform fluid-bed, without the phenomenon of gap or blowing out. The uniform drying and cooling product can be got.
- ★Good adjustable and wide applicability. The change of thickness of material layer, moving speed in the machine and full amplitude can adopt infinitely adjustment.
- ★Less damage to the surface of material. It can be used for drying material that is easy to broken. The work efficiency is not be affected even if the granule of material is irregular.
- ★Adopt full sealed structure. It is effective to protect cross infection between material and air. The operation environment is clean.
- ★High mechanical and thermal efficiency and good effect of energy saving. Compared with ordinary drying equipment, it can save 30 ~60% energy.

### 应用概述 General of applications

- ★适用于粉状、颗粒状物料的干燥、冷却、增湿等作业（或同时进行）。
- ★It is widely used for operation of drying, cooling and damp increasing (or carry out at the same time) for power or granule material.

### 技术参数 Technical Data

规格 Specification	床体尺寸(mm) Fluid-bed size		主机尺寸(mm) Overall size			振动电机功率(kw)	重量 (kg)
	A1	B1	A	B	C	Power of librated motor	Weight
3×30	300	3000	890	3505	1830	0.5×2	1240
3×45	300	4500	1116	5005	1830	0.75×2	1570
6×45	600	4500	1286	5005	1904	1.1×2	1967
6×60	600	6000	1286	6510	1940	1.1×2	2743
6×75	600	7500	1286	8010	1940	1.1×2	2886
9×60	900	6000	1830	6510	2110	2.2×2	3540
9×75	900	7500	1830	8010	2110	2.2×2	4219
12×75	1200	7500	2400	8010	2450	3×2	5223
15×75	1500	7500	2850	8010	2570	4×2	6426
18×80	1800	8000	3250	8520	3100	5.5×2	8600

所有数据仅作参考，视物料情况，本公司拥有变更权利，并不另行通知。

All datas are used for reference only. According to the condition of material, our factory has the right to change but not notice, pardon!



## RLY 燃油热风炉

### RLY OIL FUEL HOT AIR FURNACE

#### 应用概述 General of applications

★我公司自行设计制造的RLY系列卧式金属体燃油间接加热热风炉是集燃烧与换热为一体，热效率高的热风加热装置，输出的热风温度可达300度，烟气和空气各走其道，故经换热后的空气为洁净的热空气，能与各种干燥设备配套使用。

★The RLY Series Horizontal Oil Indirection Heating Fuel Hot Air Furnace designed and manufactured by our company is a heating device with high heat efficiency and integrates combustion and heat exchange in one body. The temperature of output hot air may reach 300°C . Smoke and air pass through their own duct. So the air through heat exchange is clean hot air. The machine can be equipped with all kinds of drying equipment.



#### 技术参数 Technical Data

项目Item 规格Specification	热风温度(°C) T of hot air	热风量(m³/h) Volume of hot air	输出热量(KJ/h) Capacity of Output heat	耗油量(Kg/h) Consumption of oil amount
RLY6.5	120-200	1640-2220	14-27	5-10
RLY12	120-250	2220-3500	24-50	8.5-18
RLY18	150-300	3200-6000	30-75	10-26
RLY40	150-300	5400-9000	80-170	28-55
RLY72	150-300	8000-17000	120-300	40-100
RLY120	150-300	12000-28000	175-500	60-170

所有参数仅作参考，视物料情况，本公司拥有变更权利，并不另行通知。

All datas are used for reference only. According to the condition of material, our factory has the right to change but not notice, pardon!





## JRF 燃煤热风炉

## JRF COAL FUEL HOT AIR FURNACE

## 应用概述 General of applications

★该炉为通用性热风加热装置，与各种物料的干燥设备配套使用。

★该炉集燃烧与换热为一体，以炉体高温部位进行换热的最新间接加热技术。采取了耐高温措施，从而使其寿命比管式热风炉大大提高，输出热风温度可达300℃以上，同时采用了烟气逆向刷新换热片和负压吸式排烟方式，换热部位不积灰、无须清理，热性能稳定。可使用各种煤或木柴做燃料，并配有二次进风装置，燃烧完全。各项技术指标均达国内先进水平。

★The furnace is universal hot air heating device and can be equipped with all kinds of drying equipment.

★The furnace integrates combustions and heat exchange in one body and adopts the newest indirect heating technique with high temperature of furnace body to carry out heat exchange and adopts measures of high temperature resistant too. Compared with pipe type hot air furnace, its life is raised greatly. The temperature of hot air to be transmitted may reach over 300℃. Meanwhile it adopts heat exchange sheet of conversed smoke and air and smoke exhausted way of negative pressure. So the part of heat exchange does not accumulate dust and not necessary to clean and the thermal property is constant. It can use different coal or as fuel. Because of equipped with secondary air in device, the combustion is fully. All technical indexes reach to domestic advanced level.



## 技术参数 Technical Data

项目Item 规格Specification	输出热量(10 <sup>4</sup> kcal/h) Heat capacity of output heat	输出风量(m <sup>3</sup> /h) Air volume of output	热风温度(℃) T of hot air	耗煤量(kg/h) Consumption of coal	烟气引风机型号 Model of exhaust smoke fan
JRF4-2.5	2.5-3	560-1500	60-200	10-12	炊事用鼓风机80-100W Blast fan for cooking 800-100W
JRF4-4	4-5	930-3500	60-200	14-17	炊事用鼓风机200-300W Blast fan for cooking 800-100W
JRF5-8	6-8	1480-5600	60-200	18-24	Y5-47 2.8c 1.1Kw
JRF5-15	10-15	2160-12000	60-300	30-45	Y5-47 4c 2.2Kw
JRF5-30	25-30	4330-25000	60-300	70-85	Y5-47 4c 3Kw
JRF5-60	55-60	8660-45000	60-300	150-175	Y5-47 4c 5.5Kw
JRF5-80	75-90	12500-83000	60-300	180-220	GY2-1 11w
JRF5-100	80-100	14400-84000	60-300	220-290	GY2-1 11kw
JRF5-160	120-160	23000-134000	60-300	410-460	Y9-26 9D 18.5Kw

所有参数仅作参考，视物料情况，本公司拥有变更权利，并不另行通知。

All datas are used for reference only. According to the condition of material, our factory has the right to change but not notice, pardon!

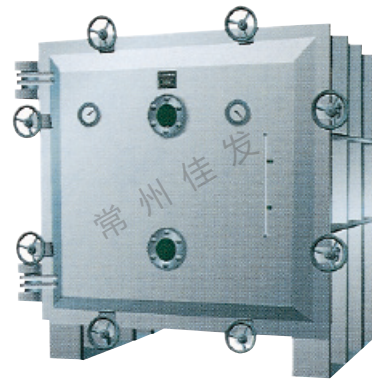


## FZG、YZG 真空干燥机

FZG, YZG VACUUM DRYER

### 应用概述 General of applications

- ★真空下物料溶液的沸点降低，使蒸发器的传热推动力增大，因此对一定的传热量可以节省蒸发器的传热面积。
- ★蒸发操作的热源可以采用低压蒸汽或废热蒸汽（用户特殊要求选用水或油加热，厂方可为你专门设计）。
- ★适用于在高温下易分解，聚合和变质的热敏性物料的干燥。
- ★在干燥前可进行消毒处理，干燥过程中任何不纯物均无混入。
- ★由于是静态式真空干燥器，故干燥物料的形体不会损坏。
- ★Under the condition of vacuum, the boiling point of material solution will reduce. It will increase impetus for heat and mass exchange. Therefore for certain heat exchange amount, it can save heat exchange area of evaporator.
- ★The heat source for evaporating operation may be low pressure steam or waster heat steam (If having special requirement, customer may choose water or oil to heat. Our factory can design specially for you).
- ★Heat loss of evaporator may be reduced.
- ★Suitable for drying thermal sensitive material that is easy to decompose, polymerize or denature.
- ★Before drying, it can carry out disinfections. During the period of drying, any impurity can't be mixed into it.
- ★It is static vacuum dryer, the form and structure of material to be dried can't be damaged.



### 技术参数 Technical Data

项目Item	规格Specification	YZG-600	YZG-1000	YZG-1400	FZG-15
干燥箱内尺寸(mm)Inner size of drying chamber		Ø600x976	Ø1000x1527	Ø1400x2054	1500x1400x1220
干燥箱外尺寸(mm)Outer size of drying chamber		1135x810x1020	1693x1190x1500	2386x1675x1920	1513x1924x2060
烘架层数Layer amount of baking frame		4	6	8	8
层间距离(mm)Distance between layers		81	102	102	122
烘盘尺寸(mm)Size of baking disk		310x600x45	460x640x45	460x640x45	460x640x45
烘盘数Qty of baking disk		4	12	32	32
烘盘管内使用压力(Pa)Pressure used in pipe of baking disk		≤0.784(8kg/cm <sup>2</sup> )	≤0.784	≤0.784	≤0.784
烘架使用温度(°C)T of baking frame to be used		35-150	35-150	35-150	35-150
箱内空载真空度(Mpa)Vacuum in idle in chamber		≤0.098(1kg/cm <sup>2</sup> )	≤0.098	≤0.098	≤0.098
用冷凝器时,真空泵型号 When use condensator,model and power of vacuum pump		2X-15A 2Kw	2X-30A 3Kw	2X-70A 5.5Kw	2X-70A 7Kw
不用冷凝器时,真空泵型号 When not use condensator,model and power of vacuum pump		SK-0.8 2.2Kw	SK-3 5.5Kw	SK-3 5.5Kw	SK-3 5.5Kw
干燥箱重量(Kg)Weight of drying chamber		250	800	1400	2100

所有参数仅作参考，视物料情况，本公司拥有变更权利，并不另行通知。

All datas are used for reference only. According to the condition of material, our factory has the right to change but not notice, pardon!



## SZG 双锥回转真空干燥机

## SZG TWINS TAPE ROTATING VACUUM DRYER

## 应用概述 General of applications

- ★不能承受高温的物料。
- ★容易氧化的物料。
- ★对晶体不允许破坏的物料。
- ★回收干燥时排除的湿份的物料。
- ★强烈刺激有毒物料。
- ★Material that cannot undertake high temperature.
- ★Material that is easy to oxidize.
- ★Material that do not permit to destruct.
- ★To recover material with residual volatile.
- ★Material with vigorous irritative and toxicity.



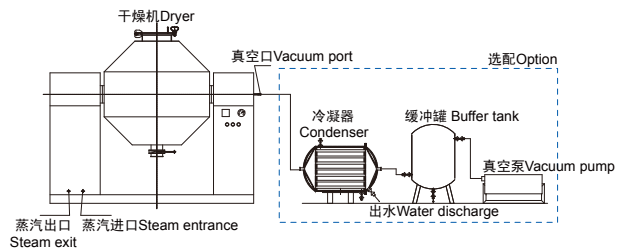
## 设备特点 Features of equipment

★本机将粉末或粒状物料通过真空输送或人工加料到双锥容器中，随着容器的不断旋转，物料在容器中进行复杂的撞击运动，达到均匀的混合。

★本机节约能源、操作方便、劳动强度低、工作效率较高。

★The machine can feed powder or granule into twin cone container through vacuum transmission or manual. With continuous rotation of container, material will make complex impacting motion in the container and reach to uniform mixing.

★Energy saving, easy to operate, low labor strength, high work efficiency.



## 技术参数 Technical Data

项目 Item		规格 Specification								
		100	350	500	750	1000	1500	2000	3000	4500
总容量 Total volume	L	100	350	500	750	1000	1500	2000	3000	4500
工作容积 Working volume	L	50	175	250	375	500	750	1000	1500	2250
加热面积 Heating area	m <sup>2</sup>	1.16	2	2.63	3.5	4.61	5.58	7.5	9.6	13.8
转速 Rotating speed	rpm	6	6	6	6	6	6	6	4	4
电机功率 Power	Kw	0.8	1.5	1.5	2	3	3	4	5.5	7.5
回转高度 Height of frame rotating	mm	1750	2100	2250	2490	2800	2940	2990	3490	4150
罐内设计压力 Designed pressure in container	Mpa	-0.1~0.15								
夹层设计压力 Designed pressure in interlayer	Mpa	0.3								
总重量 Total weight	Kg	800	1100	1200	1500	2800	3300	3600	6400	7500

所有参数仅作参考，视物料情况，本公司拥有变更权利，并不另行通知。

All datas are used for reference only. According to the condition of material, our factory has the right to change but not notice, pardon!



## PLG系列盘式连续干燥机 PLG SERIES CONTINUAL PLATE DRIER

### 概述 Descriptions

★盘式连续干燥器是一种高效的传导型连续干燥设备。其独特的结构和工作原理决定了它具有热效率高、能耗低、占地面积小、配置简单、操作控制方便、操作环境好等特点，广泛适用于化工、医药、农药、食品、饲料、农副产品加工等行业的干燥作业。在各行各业使用实践中深受好评。先生产制造常压、密闭、真空三大类型，1200、1500、2200、3000四种规格，A(碳钢)、B(接触物了部分均匀不锈钢)、C(在B的基础上，增加蒸汽管路，主轴及支架为不锈钢，筒体和顶盖内衬不锈钢)。三种材质，干燥面积4-180，共几百种型号的系列产品，并提供与之相配套的辅助设备，可满足用户对各种物料进行干燥的需求。

★PLG series continuous plate drier is a kind of high efficiency conducting and continuous drying equipment. Its unipue structure and operating principle provide advantages of high heat efficiency ,low energy consumption, less occupying area, simple configuration, easy operation and control as well as good operating environment etc, it is widely used in drying process in the fields of chemical, pharmaceuticals, agricultural chemicals, foodstuff,feed,agricultural prouct and by products processing etc. and is well received by various industries. Now there are three big categories, normal pressure, closed and vacuum styles and four specifications of 1200,1500,2200and 3000,and three kinds of medium A(carbon steel),B(stainless steel for contact parts) and C(on the basis of B to add stainless steel for steam pipes, main shaft and support,and stainless steel linings for cylinder body and top cover).With a drying area of 4 to 180 square meters, now we have hundreds of models of series rrouducts and various kinds of auxiliary devices available to meet requirements of various pround.



### 原理 Principle

★湿物料自加料器连续地加到干燥器上部第一层干燥盘上，带有耙叶的耙臂做回转运动使耙叶连续地翻抄物料。物料沿指数螺旋线流过干燥盘表面，在小干燥盘上的物料被移送到外缘，并在外缘落到下方的大干燥盘外缘，在大干燥盘上物料向里移动并从中间落料口落入下一层小干燥盘中。大小干燥盘上下交替排列，物料得以连续地流过整个干燥器。中间的干燥盘内通入加热介质，加热介质形式有饱和蒸汽、热水和导热油，加热介质由干燥盘的一端进入，从另一端导出。已干物料从最后一层干燥盘落到壳体的底层，最后被耙叶移送到出料口排出。湿份从物料中溢出，由设在顶盖上的排湿口排出，真空型盘式干燥器的湿气由设在顶盖上的真空泵口抽出。从底层排出的干物料可直接包装。通过配备翅片加热器、溶剂回收冷凝器、布袋除尘器、干料返混机构、引风机等辅机，可提高其干燥的生产能力，干燥膏糊状和热敏性物料，可方便地回收溶剂，并能进行热解和反应操作。

★Wet materials are fed continuously to the top drying layer in the drier. They will be turned and stirred continuously by harrows' s arm rotates, the material flows through the surface will be moved to its exterior edge and drop down ti the exterior edge of the large drying plate underneath, And will then be moved inward and drop down form its central hole to the small drying plate on the next layer. Both small and large drying plates are arranged alternately so as materials can go through the whole drier continuously. The heating media, which could be saturated steam, hot water or thermal oil will be led into drying plates from one end to other end of the drier. The dried product will drop from the last layer of the drying plate to the bottom layer of the body, and will be moved by harrows to the discharge outlet. The moisture exhausts from materials and will be removed from the moist discharge outlet on the top cover, or sucked out by the vacuum pump on the top cover for vacuum-type plate drier. The dried product discharged form the bottom layer can be cover for vacuum-type plate drier. The dried product discharged from the bottom layer can be packed directly. The drying capability can be raised up if equipped with supplementary devices such as finned heater, condenser for solvent recovery, bag dust filter, return and mix mechanism for dried materials and suction fan etc. solvent in those paste state and heat sensitive materials can be easily recovered, and thermal decomposition and reaction can be also carried out.

### 应用 Applications

- ★无机工产品
- ★医药、食品
- ★饲料、肥料
- ★Drying, heatdecomposition combustion,cooling , reaction, and sublimation.
- ★Organic chemicals Mineral chemicals
- ★Pharmaceutical and foodstuff Feed and fertilizer



## PLG系列盘式连续干燥机

## PLG SERIES CONTINUAL PLATE DRIER

## 特点

## Features

<p>调控容易、适用性强</p> <p>1、通过调整料层厚度、主轴转速、耙臂数量、耙叶形式和尺寸可使干燥过程达到最佳。</p> <p>2、每层干燥盘皆可单独通入热介质或冷介质，对物料进行加热或冷却，物料温度控制准确、容易。</p> <p>3、物料的停留时间可以精确调整。</p> <p>4、物料流向单一，无返混现象，干燥均匀、质量稳定、不再需要混合。</p>	<p>Easy control,wide application</p> <p>1、Regulate thickness of materials ,rotating speed of main shaft, number of rakearm,style and sizes of harrows achieve best drying process.</p> <p>2、Each layer of drying plate can be fed with hot or cold media individually to heat or cold materials and make temperature control accurate and easy.</p> <p>3、Stay time of materials can be accurately adjusted.</p> <p>4、Single flowing direction of materials without return flowing and mixing,uniform drying and stable quality, no re-mixing is required.</p>
<p>操作简单、容易</p> <p>1、干燥器的开车、停车操作非常简单。</p> <p>2、停止进料后，传送物料后的耙叶能很快地排空干燥器内的物料。</p> <p>3、通过特殊的大规格检视门的视镜，可以对设备内进行很仔细清洗和观察。</p>	<p>Easy and simple operation</p> <p>1、Start and stop of drier is quite simple</p> <p>2、After material feeding is stopped,they can be easily discharged out of the drier by harrows.</p> <p>3、Careful cleaning and observation can be carried inside the equipment through large-scale viewing window.</p>
<p>能耗低</p> <p>1、料层很薄，主轴转速低，物料传送系统需要的功率小，电耗少。</p> <p>2、以传导热进行干燥，热效率高，能量消耗低。</p>	<p>Low energy consumption</p> <p>1、Thin layer of materials, low speed of main shaft, small power and energy required for conveying system of materials.</p> <p>2、Dry by conducting heat so it has high heating efficiency and low energy consumption.</p>
<p>操作环境好，可回收溶剂，粉尘排放符合要求</p> <p>1、常压型：由于设备内气流速度低，而且设备内湿度分布上高下低，粉尘很难浮到设备顶部，所以顶部排湿口排出的尾气中几乎不含有粉尘。</p> <p>2、密闭型：配溶剂回收装置，可方便地回收载湿气体中的有机溶剂。溶剂回收装置简单，回收率高，对于易燃、易爆、有毒和易氧化的物料，可用氮气作为载湿气体进行闭路循环，使之安全操作。特别适用于易燃、易爆、有毒物料的干燥。</p> <p>3、真空型：在真空状态下操作的盘式干燥器，特别适用于热敏性物料的干燥。</p>	<p>Good operation environment,solvent can be recovered and powder discharge meet the requirements of exhaust.</p> <p>1、Normal pressure type : as low speed of air flow inside the equipment and moisture being high in upper part and low in lower part, dust powder could not float to the equipment, so there is almost no dust powder in tail gas discharged from the moist discharge outlet on the top.</p> <p>2、Closed type: equipped with solvent recovery device that can recover organic solvent easily form moist-carrier gas. The solvent recovery device has simple structure and high recovery rate, and nitrogen can be used as moist-carrier gas in closed circulation in order for safe operation . Especially suitable for drying of flammable , explosive and poisonous materials.</p> <p>3、Vacuum type: if the plate drier is operating under vacuum state, it is particularly suitable for drying heat sensitive materials.</p>
<p>安装方便、占地面积小</p> <p>1、干燥器整体出厂，整体运输，只需吊装就位，安装定位非常容易。</p> <p>由于干燥盘层式布置、立式安装，即使干燥面积很大，占地面积也很小。</p>	<p>Easy installation and small occupying area</p> <p>1、As the drier is in a whole for die delivery, it is quite easy to install and fix at site only by hoisting.</p> <p>As drying plates being arranged by layers and installed vertically, it takes a small occupying area though drying area is large.</p>

## 技术参数

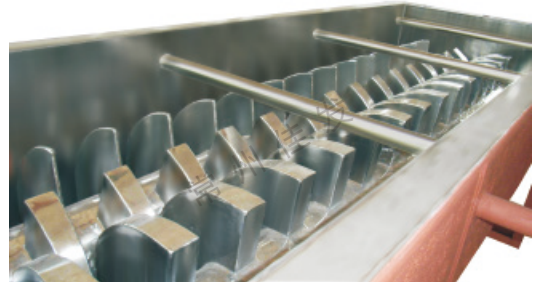
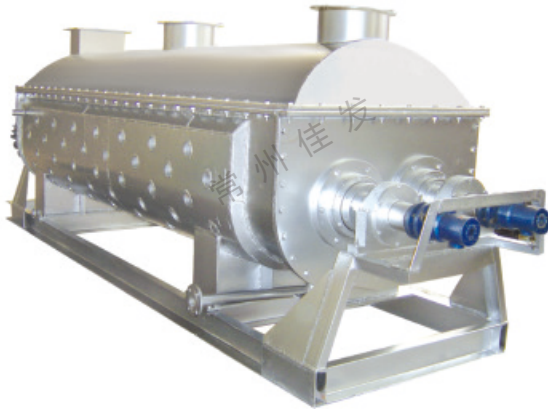
## Technical Data

规格 Model	外径(mm) Diameter	高度(mm) High	干燥面积(m <sup>2</sup> ) Area of dry	功率(kw) Power
1200/4	1850	2608	3.3	1.1
1200/6		3028	4.9	
1200/8		3448	6.6	1.5
1200/10		3868	8.2	
1200/12		4288	9.9	
1500/6	2100	3022	8.0	2.2
1500/8		3442	10.7	
1500/10		3862	13.4	
1500/12		4282	16.1	3.0
1500/14		4702	18.8	
1500/16		5122	21.5	
2200/6	2900	3262	18.5	3.0
2200/8		3682	24.6	
2200/10		4102	30.8	
2200/12		4522	36.9	
2200/14		4942	43.1	4.0
2200/16		5362	49.3	

规格 Model	外径(mm) Diameter	高度(mm) High	干燥面积(m <sup>2</sup> ) Area of dry	功率(kw) Power		
2200/18	2900	6202	61.6	7.5		
2200/20		6622	67.7			
2200/22		7042	73.9			
2200/24	3800	7462	80.0	11		
2200/26		4050	48			
3000/8		5782	4650		60	13
3000/10			5250		72	
3000/12	5850		84			
3000/14	6450		96			
3000/16	7050		108			
3000/18	7650		120			
3000/20	8250		132			
3000/22	8850		144			
3000/24	9450		156			
3000/26	10050		168			
3000/28	10650	180	15			
3000/30	55.4	5.55				



## JYG系列空心桨叶干燥机 JYG SERIES HOLLOW BLADE DRYER



### 概述 Descriptions

★桨叶式干燥器是一种在设备内部设置搅拌桨，使物料在桨叶的搅动下，与热载体以及表面充分接触，从而达到干燥目的的低速搅拌干燥器，结构形成一般为卧式，双轴或四轴。

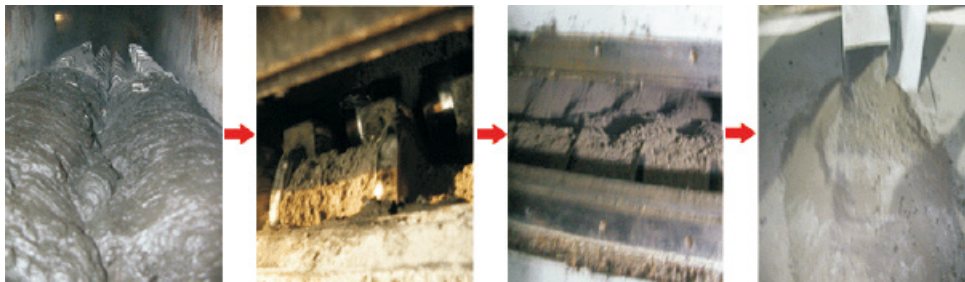
★桨叶式干燥器分为热风式和传热式。热风式即通过热载体（如热空气）与被干燥物料相互接触并进行干燥，在传导式中热载体并不与被干燥的物料直接接触，而是热表面与物料相互接触。传导式的优点是物料不易被污染，排气量小，热效率高，体积相对小，有利于节约能源及防止空气污染。

★适用范围：塑料 树脂类产品 无机药品 肥料 饲料 食品 化纤 染料 淀粉 下水管污泥等产品的干燥，如：氯乙烯 树脂 尼龙 聚乙烯 聚丙烯 淀粉 氯化钠 砂糖 氧化铁 长石 烧碱粉末等各种粉粒及膏状料。

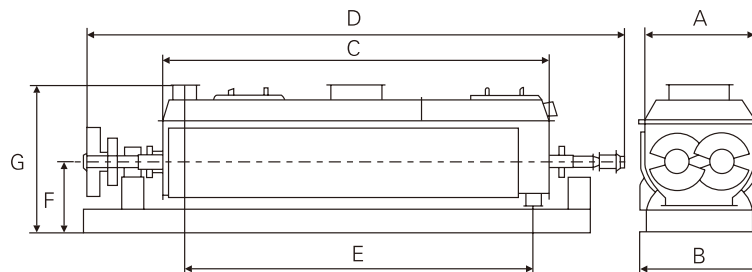
★Oar drier is low speed churner drier that equipped oars inside equipment. The damp raw material is churned to ample connecting with hot carry and the surface can ehorizonta, double scrolls of fore scrolls.

★There are hot air style and transfer style two styles. The drying in hot style is completed through conection of hot air and material. Intranster style, material is connected with hot surface to drying, ia can prevent pollution of material. The air outlet is few, effection is high, small size, save energy and prevent pollution of air

★It is suitable for drying in plastic, resin, inorganic compounds machine, fertilizer, feed, drestuff, starch, mud and so on ...



干燥过程





## JYG系列空心桨叶干燥机

## JYG SERIES HOLLOW BLADE DRYER

## 特点 Features

- ★设备紧凑，占地面积小，热传导系数高，热效率及佳，一般可达到80%—90%，是节能型设备。
- ★设备低转速，对颗粒状及片状物料的破碎性很小。
- ★对物料适应性广，操作弹性大，物料停留时间几分钟到几小时，可调。
- ★附属设备简单，投资少，操作费用底。
- ★一机多用，可作干燥、冷却、气体回收、反应加热（预杀菌）等工艺操作。
- ★Compact structure, small occupied space, high degree of heat conducting, best heat effect, in general heat effect is attion to 80-90%, it is a kind of device in saing energy.
- ★Low speed, it is difficult to break into shaping of granule and slice raw materil.
- ★To raw material, wide use, easy to operate and raw material is adjustable from few minuters to few hours.
- ★The attachment is simple, and will save investment.
- ★There is many uses by it, such as drying, cooling recovering air, kesoonding, heating and so on.

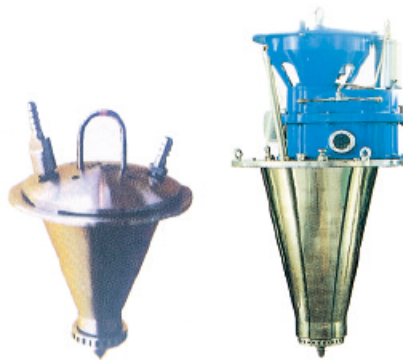
## 技术参数 Technical Data

型号 Model	项目 Item	JYG-3	JYG-9	JYG-13	JYG-18	JYG-29	JYG-41	JYG-52	JYG-68	JYG-81	JYG-95	JYG-110
	传热面积 (m <sup>2</sup> ) Heat transferring area	3	9	13	18	29	41	52	68	81	95	110
	有效容积 (m <sup>3</sup> ) effective volume	0.06	0.32	0.59	1.09	1.85	2.8	3.96	5.21	6.43	8.07	9.46
	转速范围 (r.m.p) Range of rotaing speed	15-30	10-25	10-25	10-20	10-20	10-20	10-20	10-20	5-15	5-15	5-10
	功率 (Kw) power	2.2	4	5.5	7.5	11	15	30	45	55	75	95
	器体宽A (mm) width of vessel	306	584	762	940	1118	1296	1474	1652	1828	2032	2210
	总宽B (mm) Total width	736	841	1066	1320	1474	1676	1854	2134	2268	2438	2668
	器体长C (mm) Length of vessel	1956	2820	3048	3328	4114	4724	5258	5842	6020	6124	6122
	总长D (mm) Total length	2972	4876	5486	5918	6808	7570	8306	9296	9678	9704	9880
	进出料距E (mm) Distance of material inlet £ outlet	1752	2540	2768	3048	3810	4420	4954	5384	5562	5664	5664
	中心距F (mm) height of center (mm)	380	380	534	610	762	915	1066	1220	1220	1220	1220
	总高G (mm) Otal height (mm)	762	838	1092	1270	1524	1778	2032	2362	2464	2566	2668
	进气口N(寸) Steam inlet (N) (inch)	3/4	3/4	1	1	1	1	1 1/2	1 1/2	1 1/2	1 1/2	2
	进水口O(寸) Water outlet(O) (inch)	3/4	3/4	1	1	1	1	1 1/2	1 1/2	1 1/2	1 1/2	2



## ZPG 系列中药浸膏喷雾干燥机

ZPG SPRAY DRYER FOR CHINESE TRADITIONAL MEDICINE EXTRACT



### 原理 principle

★该机彩全封闭形式，所有部件均彩不锈钢制造，配有三级净化装置，过滤后的空气达十万级要求。筒体与顶部装有冷壁装置，使壁温<80摄氏度，干燥塔内装有气刷扫塔装置，经该机干燥后的中药浸膏粉，不会出现焦化变质现象，大大亩了收粉率（达95%以上），而且不会产生混药现象和粘壁现象。

★基本原理：中药浸膏高速离心式喷雾装置是离心式喷雾干燥技术在特定物料干燥中的应用，也是利用高速离心式雾化器使用权物料分散成雾状，与热空气充分接触，完成瞬间干燥，形成粉状成品的干燥装置。

★中药浸膏喷雾干燥机是专门用来解决中药浸膏和植物撮液的喷雾干燥机。它解决了物料在原LPG高速喷雾干燥机在中药中药浸膏干燥中出现的以下情况：

- 1、物料粘壁、收粉率低；
- 2、物料在壁上停滞不前留时间长，产生物料的焦化变质现象；
- 3、难以清洗，不符合GMP要求；
- 4、主量低：LPG-150型喷雾干燥机，其产量只能处理50-60kg/h料液。

★鉴于以上状况，我厂根据中药浸膏的物料性质与工艺要求设计了中药浸膏专用干燥机。它解决了历史上中药浸膏干燥机难题，干燥后的物料颜色好、不变质、大大提高了工厂的经济效益，中药浸膏与LPG高速离心喷雾干燥机相比有以下要求：

- 1、采用了三级空气净化，使进风达到30万级要求；
- 2、采用冷壁装置，使内壁温度达到80℃，物料在壁上停留也不焦化；
- 3、整个体积是原LPG标准离心喷雾的3.5倍；
- 4、采用快开冲洗装置，适用于多品种生产要求；
- 5、除尘采用湿式除尘，使粉尘无外出，符合环保要求；
- 6、采用气扫装置，效果更加满意；
- 7、提供雾化器2台，采用变频调整；
- 8、采用PLC控制，程控系统屏幕显示；
- 9、带冲洗装置；
- 10、采用干空气密闭输送。

★The machine adopts full seal form.All parts are made of stainless steel.It is equipped with three grades of filter.The filtered air is one hundred thousand grades.The cooling device of wall is installed at the cylinder body.It makes the wall temperature less than 80C o Air sweeping device is installed inside the drying tower, The product will not be burnt or deteriorated even stays on the way.The collection rate of powder is raised greatly.Moreover will not cause medicine mixed or wall stick Basic Principle:high-speed centrifuge atomizing for the extract of traditional Chinese medicine is an application of centrifuge atomizing technique.It is an high-speed atomizing dryer.The following problems are solved.

- 1.Raw material is stick to the wall and the rate of powder collecting is low.
- 2.Because the staying time of raw material at wall is long,the phenomenon of burnt and degeneration can be produced.
- 3.It is difficult to clean and can not meet the requirement of GMP.
- 4.Low in output:Model LPG-150 atomizing centrifuge dryer can process 50-60kg/h of raw material liquid.In view of this,according to the properties and process requirements of the extract of traditional Chinese medicine,our factory researched and designed the special dryer for the extract of traditional Chinese medicine and won items of china patent,It solves the historical difficult problems in drying the extract of traditional Chinese medicine.The color of dried raw material is good.The dried raw material does not degenerate.It raises the economic benefit greatly.Compared to ordinary LPG high-speed atomizing dryer,it has the following features:
  - (1).Adopted three-grade air filter,the inlet air is one hundred thousand grade.
  - (2).Adopted wall cooling device,the temperature of inner wall will be on more than 80℃. Even if raw material is stayed on the wall,it will not be burnt.
  - (3).Its whole volume is 3.5 times of standard LPG high-speed atomizing dryer.
  - (4).Adopted quick washing device,it is can meet the requirements of production for varieties if products.
  - (5).Adopted wet-dedusting,there is no powder dust out.It is in conformity with the requirements of GMP.
  - (6).Adopted air sweeping device ,the clean effect is satisfied.
  - (7).Equipped with two sets of atomizer and adopted frequency inverter control.
  - (8).Adopted PLC control and display,and adapted frequency control.
  - (9).Equipped with washing device on request,
  - (10).Adopted the seal transport by dry air on request.

### 特点 Features

- ★塔体具有冷风夹套；
- ★塔体上装有自动振打装置；
- ★塔体、管路配有快开清洗孔及排污孔；
- ★自动控制恒温加料罐；
- ★手工高压洗塔随机附件；
- ★与物料接触的部分采用不锈钢材料制作（或全不锈钢制造）
- ★物料收集采用两级旋风除尘装置，或一级旋风除尘器 and 湿式除尘器；
- ★进风温度实现自动控制及连续装置；
- ★配有气扫装置。

- ★Tower body has air cooled jacket.
- ★Tower body is equipped with automatic vibration device.
- ★Tower body and pipe line have cleaning hole and sewage discharge hole that can open quickly.
- ★Thermostat feeding tank on request.
- ★Mannal high pressure washing machine on request.
- ★The parts that can contact raw material are made of stainless steel (all entirely stainless steel).
- ★The collecting of raw material adopts two grades cyclone or one-grade cyclone and one-grade wet-method-deduster.
- ★The temperature of inlet air can be controlled automatically and continuously.
- ★Equipped with air sweeping device on request.

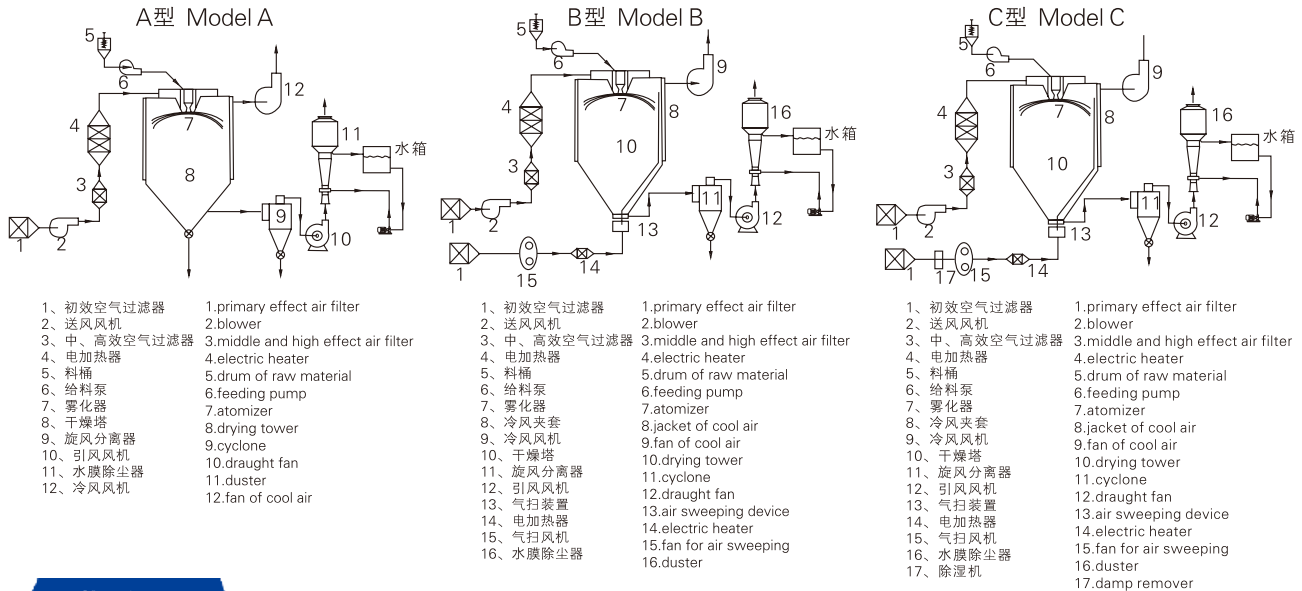




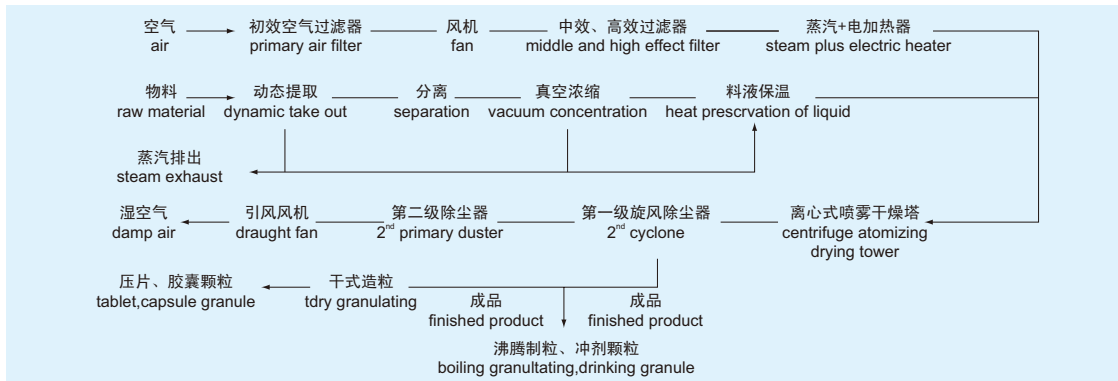
# ZPG 系列中药浸膏喷雾干燥机

ZPG SPRAY DRYER FOR CHINESE TRADITIONAL MEDICINE EXTRACT

## 安装示意图 Sketch of installation



## 工艺流程图 Sketch of flow chat



## 技术参数 Technical Data

型号 spec	ZPG-5	ZPG-10	ZPG-25	ZPG-50	ZPG-80	ZPG-100	ZPG-150	ZPG-200	ZPG-300	
水份蒸发量 evaporation capacity(kg/h)	5	10	25	50	80	100	150	200	300	
料液处理量 process amount of material liquid(kg/h)	6-7	12-14	25-34	50-68	80-108	100-135	150-203	200-270	300-406	
成品含量 output of finished product(kg/h)	1-2	2-4	4.8-7.2	9.2-14	14.8-22.4	18.4-28	24-42	36.8-56.4	55-85	
湿物料含固量 solid content of material liquid(%)	18-25									
成品含水率 moisture content of finished product(%)	3-5									
电功率 electric power(kw)	36	45	63	99	132	153	204	246	330	
加热源 heat source	蒸汽加热 Steam plus electricity									
产品捕集方式及效率 collecting method of product and its efficiency	两级旋风除尘器或一级旋风除尘器及一级湿式除尘器≥95% Two-grade cyclone or one-grade cyclone and one-grade web-method dedusted of 95%									
自控仪表 automatic control meters and instruments	热风温度及排风温度指标, 自动调节温控仪 indicator of not air and exhaust air temperature									
进风温度 temperature of air inlet(°C)	150-200									
出风温度 temperature of air outlet(°C)	80-100									
外形尺寸 overall diimensions(mm)	长L	5000	5500	7000	8000	9800	11000	12200	14100	15000
	宽W	3000	3500	4000	5000	5700	6200	7000	7800	9000
	高H	4500	4600	5200	6500	7600	8100	9000	9850	11100



## TG系列滚筒刮板干燥机

## TG SERIES CYLINDER AND SCRATCH BOARD

## 概述

## Descriptions

★TG系列滚筒干燥机的工作原理是让液体或泥浆状的物料在水蒸汽其它载体加热的滚筒表面形成薄膜，并在滚筒转一圈的过程中便被干燥 完毕，利用刮刀把产品刮下来，露出滚筒表面再次与原料接触形成薄膜进行干燥。

★TG series cylinder operation principle of desiccator to let liquid or mud form supplies form the Membrane in steam or other hot cylinder surface that carrier heated,and dry to finish while the cylinder turns around, is it blow handle of a knife product is it get off to blow to utilize, the cylinder surface emerges to contact and form the membrane to carry on with raw materials drily again.

## 特点

## Features

- ★以蒸汽或导热油为热源，受热面积大，热效率高，加热均匀
- ★干燥速率大，筒壁上湿料膜的传热与传质过程由里向外方向一致，温度梯度大，使料膜表现保持较高的蒸发强度
- ★干燥时间短，一般为7-30秒左右，适合热敏性物料。
- ★操作方便，维修便利
- ★As heat source, heat area to heavy with steam or heat conduction, High thermal efficiency have, it is even to heat
- ★it is dry speed the heavy ,tube there is with spreading quality course Material heat transfer of membrane not wet at wall from on direction not outside the unanimous,the temperature gradient is large, make the material membrane display and keep the intensity of higher evapoation
- ★Dry time is short it is generally about7-30 seconds,suitable for the Temperature sensing supplies.
- ★Easy to operate,it is convenient to maintain



## 应用

## Applications

★TG系列滚筒干燥机广泛用于食品 化工 医药等行业粘性 膏糊状物料制片 干燥等工序。

★Such processes as the TG series cylinder desiccator is used in such trades as the food, chemical industry, medicine, etc, viscosity, lotion pastel supplies film-making, dry extensively.

## 技术参数

## Technical Data

规格 Model size	滚筒尺寸(mm) Sizes of Cylinder Diameter×Length	有效加热面积 Effective Heating Area(m <sup>2</sup> )	干燥能力 Drying capacity (kg/h)	蒸汽耗量 Steam Consumption (kg/h)	电机功率 Power of Motor(kw)	外形尺寸 Sizes L×W×H (mm)	重量 Weight (kg)
TG-600	Φ600×800	1.12	40-70	100-175	1.1	1700×800×1500	850
TG-700	Φ700×1000	1.65	60-90	150-225	2.05	2100×1000×1800	1250
TG-800	Φ800×1200	2.26	90-130	225-325	3.75	2500×1100×1980	1700
TG-1000	Φ1000×1400	3.30	130-190	325-475	4.75	2700×1300×2250	2100
TG-1200	Φ1200×1500	4.24	160-250	400-625	4.75	2800×1500×2450	2600
TG-1400	Φ1400×1600	5.28	210-310	525-775	6.25	3150×1700×2800	3200
TG-1600	Φ1600×1800	6.79	270-400	675-1000	6.25	3350×1900×3150	4200
TG-1800	Φ1800×2000	8.48	330-500	825-1250	8.6	3600×2050×3500	5200
TG-1800A	Φ1800×2000	10.60	420-630	1050-1575	8.6	4100×2050×3500	6280



## ZPD系列真空耙式干燥机

### ZPD SERIES VACUUM HARROW DRYER

#### 应用 Applications

- ★医药、食品、化工等行业进行以下物料干燥
  - ★适用于浆状、膏糊状、粉状物料。
  - ★要求低温干燥的热敏性物料。
  - ★易氧化、易爆、强刺激、剧毒物料。
  - ★要求回收有机溶剂的物料。
  - ★The following raw materials from pharmaceutical industry, foodstuff industry, chemical industry and so on can be dried.
  - ★Suitable for pulpiness, paste-like mixture or powder raw materials.
  - ★Thermal sensitive raw materials having the requirement to dry at lower temperature
  - ★Raw materials that are easy to oxidize or explode and have strong irritative or toxic.
- Raw materials that need to recover solvent.

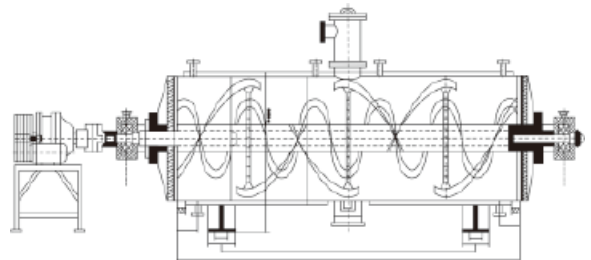
#### 特点 Features

- ★本机采用大面积夹层加热方式，传热面大，热效率高。
- ★本机设置搅拌，使物料在桶内形成连续循环状态，进一步提高了物料受热的均匀度。
- ★本机设置搅拌，从而可顺利进行浆状、膏状、糊状物料干燥。
- ★Being adopted the big area heating way, its heat conducting area is large and its heat efficiency is high.
- ★Being installed stirring in the machine, it makes raw material in cylinder from the state of continuous circle inside the uniformity to be heated of raw material is raised greatly.
- ★Being installed stirring in the machine, pulpiness, paste-like mixture or powder raw materials can be dried easy.

#### 原理 Principle

★本机是一种新型卧式间歇式真空干燥设备，湿物料经传导蒸发，带有刮板搅拌器不断清除热面上的物料，并在容器内推移形成循环流，水份蒸发后由真空泵抽出。

★It is an innovation horizontal batch-type vacuum dryer. The moisture of wet material will be evaporated by heat transmission. The stirrer with squeegee will remove material on hot surface and move in the container to form cycle flow. The evaporated moisture will be pumped by vacuum pump.



#### 技术参数 Technical Data

型号 Model		ZPG-500	ZPG-750	ZPG-1000	ZPG-1500	ZPG-2000	ZPG-3000	ZPG-5000
工作容积 Working volume	L	300	450	600	900	1200	1800	5000
内筒尺寸 Over in the cylinder	mm	Ø600×1500	Ø800×1500	Ø800×2000	Ø1000×2000	Ø1000×2600	Ø1200×2600	Ø1400×3400
搅拌转速 Stirring revolution	rpm	6~30无级调速 6~30 stepless variable						
功率 Power	Kw	4	5.5	5.5	7.5	11	15	22
夹层设计压力 Design pressure of jacket	MPa	≤0.3						
筒内压力 Pressure in the cylinder	MPa	-0.096~0.15						

注：水份蒸发量与物料的特性及热风进、出口温度有关。随着产品不断更新，有关参数变更，恕不预先通知。

Notes: the evaporated amount of water is related to the characteristics of raw materials and the temperature of air in and air out. With renew products unceasingly, the related parameters will be exchanged, it does not announce in advance, pardon!



## HD 多向运动混合机

## HD MULTI-DIRECTION MOVEMENT MIXER

## 设备特点 Features of equipment

- ★物料无离心力作用，无比重偏析及分层、积聚现象、混合率可达99.9%。
- ★装料率大，最高可达80%（普通混合机仅为40%），效率高，混合时间短。
- ★筒体各处为圆弧过渡，经过精密抛光处理，达到“GMP”要求。
- ★Because the mixing barrel moves in multi directions, there is no centrifugal force acting on the materials, as well as no phenomena of gravity segregation, lamination and accumulation of materials so that the mixing rate can be up to 99.9%.
- ★The barrel has high loading rate (max.80 percent, however, only 40 percent for the conventional mixers), so that it features high efficient and short mixing time.
- ★The barrel transitional radius everywhere, conform to GMP.



## 技术参数 Technical Data

项目Item	规格Specification										
料筒容积(L)Barrel volume	HD-1	HD-5	HD-15	HD-50	HD-100	HD-200	HD-400	HD-600	HD-800	HD-1000	
最大装料容积(L)Max.loading volume	1	5	15	50	100	200	400	600	800	1000	
最大装料重量(kg)Max.loading capacity	0.8	4	12	40	80	160	320	480	640	800	
主轴转速(r/min)Speed of driving shaft	0.5	2.4	7.5	25	50	100	200	300	400	600	
电机功率(kw)Motor power	15~30			8~15							
外形尺寸(长×宽×高)	0.12	0.25	0.37	1.1	1.5	2.2	4	5.5	7.5	7.5	
Overall dimensions(LxWxH)(mm)	500x600	600x1000	700x1000	1000x1400	1200x1700	1400x1800	1800x2100	1900x2100	2200x2400	2250x2600	
整机重量(kg)Total weight	x600	x1000	x1000	x1200	x1500	x1600	x1950	x2250	x2300	x2300	
	50	150	200	300	500	800	1200	1500	2000	2500	

所有参数仅作参考，视物料情况，本公司拥有变更权利，并不另行通知。

All datas are used for reference only. According to the condition of material, our factory has the right to change but not notice, pardon!

## EYH 型二维运动混合机

## MODEL EYH PLANR MOTION MIXER

## 应用概述 General of applications

- ★本机广泛用于医药，化工，食品，染料，饲料，化肥，农药等行业，尤其适用于大吨位（1000-10000L）各种固相物料的混合。
- ★本机混合筒在传动的同时又参与摆动，使筒中物料得以充分混合，混合筒的出料带有螺旋叶片，使该机具有混合迅速，混合量大，出料便捷等特点。
- ★The mixers are widely used in pharmaceutical ,chemical ,food, dye, feed, chemical fertilizer and pesticide industries and especially suitable for mixing various solid materials with large volume (1000-10000L).
- ★The mixing barrel swings while rotates so that the materials in the barrel can be fully mixed. Because the discharge port of the barrel is out of the barrel centerline, the mixer features quick mixing and discharging, as well as high volume mixing capacity.



## 技术参数 Technical Data

规格Specification	项目Item	装料容积Loading capacity(L)	最大装料量Max Loading Weight(Kg/批kg/batch)	电机总功率Total motor power(KW)
EYH-10		5	2.5	0.021
EYH-30		15	7.5	0.19
EYH-60		30	15	0.4
EYH-150		75	37.5	1.15
EYH-300		150	75	1.15
EYH-600		300	150	3
EYH-800		400	200	3
EYH-1000		500	250	3
EYH-1500		750	375	4.4
EYH-2000		1000	500	7.4
EYH-3000		1500	750	11
EYH-4000		2000	1000	13
EYH-6000		3000	1500	18.5
EYH-8000		4000	2000	22
EYH-10000		5000	2500	30

所有数据仅作参考，视物料情况，本公司拥有变更权利，并不另行通知。

All datas are used for reference only. According to the condition of material, our factory has the right to change but not notice, pardon!



## HSD 系列化实验室料斗混合机

### HSD SERIES LABORATORY HOPPER MIXER

#### 应用概述 General of applications

★本机主要用于固体制剂实验中的颗粒与颗粒、颗粒与粉末、粉末与粉末等物料的混合，是药厂实验室的总混设备。在制药、化工、食品等行业中广泛使用。

★This machine is mainly used for mixing particles and particles, the particles in the solid preparation and powder, powder and powder materials, mixing equipment is pharmaceutical laboratory. Widely used in pharmaceutical, chemical, food and other industries.

#### 设备特点 Features of equipment

★本机是我司广泛吸收、消化国外先进技术，结合国情研发成功的新机型。本机结构合理，性能稳定，操作方便，整机无死角，无外露螺钉。回转体（混合料斗）与回转轴曲线成30度夹角，混合料斗中的物料随回转体翻动外，同时沿斗壁做切向运动，产生强烈的翻动和高速的切向运动，从而达到最佳的混合效果，采用PLC全自动控制，并设置防误操作装置的出料蝶阀，确保生产安全。物料可在同一容器中通过不同的工序段，不需要频繁地转料、加料等程序。有效地控制粉尘与交叉污染，减少物料的损失，控制物料的分层，优化了生产工艺，符合药品生产的GMP要求。

★this machine is our widely absorbing and digesting foreign advanced technology, combined with the new situation of development of successful models. The machine has the advantages of reasonable structure, stable performance, convenient operation, no dead angle of the whole machine, no exposed screw. The rotary body (mixing) into a 30 degree angle with the axis of rotation of the curve, mixing the material in the hopper with rotary turning, and the bucket wall tangential movement to do, have a strong stirring and high-speed tangential movement, so as to achieve the best mixing results, using PLC automatic control, and set the anti misoperation the discharge valve device, ensure the production safety. Materials can be in the same container through different processes, do not need to frequently turn material, feeding and other procedures. Effectively control the dust and cross contamination, reduce the loss of materials, control the material stratification, optimize the production process, in accordance with the GMP requirements of the production of drugs.

#### 技术参数 Technical Data

型号 Model	主要结构尺寸 Main structural dimensions										混合转速 Blending speed (rpm)	净负载 net load (kg)	总功率 Total power (kw)	机器重量 Machine weight (kg)
	L	L1	W	W1	W2	H	H1	H2	H3	DH				
HSD5	950	740	570	250	450	1000	470	980	830	50	3-25	2.5	0.25	150
HSD10	1050	740	650	340	450	1050	410	980	800	50	3-25	5	0.25	160
HSD15	1050	740	650	350	450	1050	410	980	880	50	3-25	7.5	0.25	170
HSD20	1150	740	700	420	450	1050	360	980	820	75	3-25	10	0.25	180
HSD25	1150	740	700	420	450	1050	370	980	880	75	3-25	12.5	0.55	185
HSD30	1150	740	700	430	450	1050	370	980	925	75	3-25	15	0.55	190
HSD50	1350	940	880	600	700	1320	440	1315	1085	100	3-25	25	0.55	200
HSD75	1350	940	1050	600	700	1415	370	1315	1155	100	3-25	37.5	0.75	230
HSD100	1550	940	900	770	700	1350	440	1315	1125	200	3-20	50	0.75	250

所有数据仅作参考，视物料情况，本公司拥有变更权利，并不另行通知。

All datas are used for reference only. According to the condition of material, our factory has the right to change but not notice, pardon!





## DSH系列锥形双螺杆螺旋混合机

DSH SERIES DOUBLE-SCREW CONICAL MIXER

### 应用概述 General of applications

★由螺旋的公.自转使物料在锥体内产生复合运动，主要产生四种运动形式：

- 1.螺旋沿壁公转，使物料沿锥壁作圆周运动；
- 2.螺旋自转使物料自锥底沿螺旋上升；
- 3.螺旋的公.自转复合运动使一部分物料被吸收到螺旋圆柱面内同时受螺旋自转的离心力作用使螺旋圆柱面内的一部分物料向锥体径向排放；
- 4.上升的物料受自身重力作用下降。四种运动在混合机内产生对流.剪切.扩散.从而达到快速均匀混合的目的。

★应用于化工、医药、农药、染料、石油、冶金、建材等粉体与粉体（固-固）、粉体与液体（固-液）、液体与液体（液-液）混合、反应、干燥、冷却。

★The material is made to conduct a compound motion in the cone because of the rotation and revolution of the screws. The effected motions include:

- 1.The revolution of the screw along the wall making the material conduct a circumferential motion;
- 2.The rotation of the screw making the material rise along the screw from the cone bottom;
- 3.The compound motion of the rotation and revolution of the screws making partial, material be absorbed into the screw cylindroid meanwhile, under the action of centrifugal force, the partial material in the screw cylindroid discharges radially.
- 4.The rised material drops under its sole weight. The four kinds of motions effect convection, shearing,diffusion in the cone, thus quick and even mixing can be achieved.

★It is suitable for chemical industry, pharmaceutical industry pesticide, dyestuff, petroleum industry, metallurgical industry, construction material and etc. Such as in the mixing, reaction, drying, cooling of powder and powder(solid-solid), powder and liquid(solid-liquid), liquid and liquid(liquid-liquid).

### 设备特点 Features of equipment

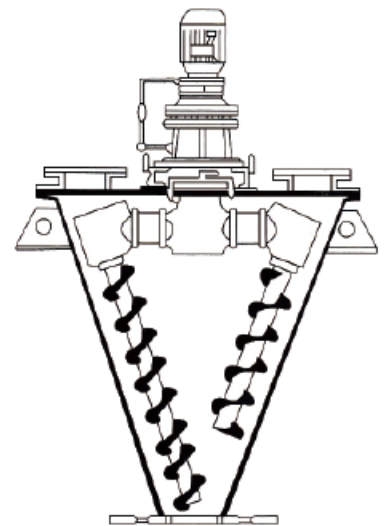
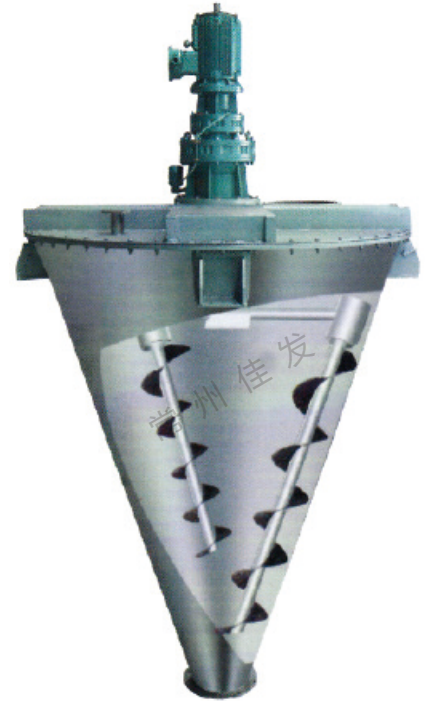
- ★可加装飞刀，喷淋雾化装配，满足特殊工艺要求。
- ★出料阀有手动，气动两种方式。
- ★特殊物料可加大电机功率（加重型）。

★This model of machine can be equipped with single screw, double screws, tri-screws.

★It can be equipped with flyingenttder additionally, so as to meet the requirements for special technology.

★The discharge valve adopts two ways, one is manual or the other is pneumatical.

★The power of motor can be enlarged for special material(strengthening type).



## DSH系列锥形双螺杆螺旋混合机

DSH SERIES DOUBLE-SCREW CONICAL MIXER

### 技术参数 Technical Data

型号 Type	全容积 Total volume(m <sup>3</sup> )	装载系数 Load factor	装机功率 Equipped power(Kw)	操作条件 Opetating conditions	外形尺寸 Overall dimensions (mm)	重量 Weight(Kg)
DSH-0.1	0.1	≤0.6	0.5	常温常压粉尘密封	1569×Ø702	250
DSH-0.3	0.3	≤0.6	2.2	常温常压粉尘密封	1929×Ø920	550
DSH-0.5	0.5	≤0.6	3	常温常压粉尘密封	2322×Ø1124	660
DSH-1.0	1.0	≤0.6	4	常温常压粉尘密封	2869×Ø1480	1200
DSH-1.5	1.5	≤0.6	5.5	常温常压粉尘密封	3140×Ø1633	1350
DSH-2.0	2.0	≤0.6	5.5	常温常压粉尘密封	3489×Ø1816	1500
DSH-3.0	3.0	≤0.6	7.5	常温常压粉尘密封	3747×Ø2210	2300
DSH-4.0	4.0	≤0.6	11	常温常压粉尘密封	4362×Ø2280	2520
DSH-5.0	5.0	≤0.6	15	常温常压粉尘密封	4576×Ø2402	3000
DSH-6.0	6.0	≤0.6	15	常温常压粉尘密封	4900×Ø2582	3150
DSH-8.0	8.0	≤0.6	18.5	常温常压粉尘密封	5400×Ø2800	4500
DSH-10	10	≤0.6	20.7	常温常压粉尘密封	5795×Ø3018	5500
DSH-15	15	≤0.6	24.2	常温常压粉尘密封	6475×Ø3450	6600
DSH-20	20	≤0.6	41	常温常压粉尘密封	7535×Ø3805	7000
DSH-25	25	≤0.6	41	常温常压粉尘密封	7995×Ø4078	8500
DSH-30	30	≤0.6	52.5	常温常压粉尘密封	8385×Ø4330	9200



## WLDH系列卧式螺带混合机

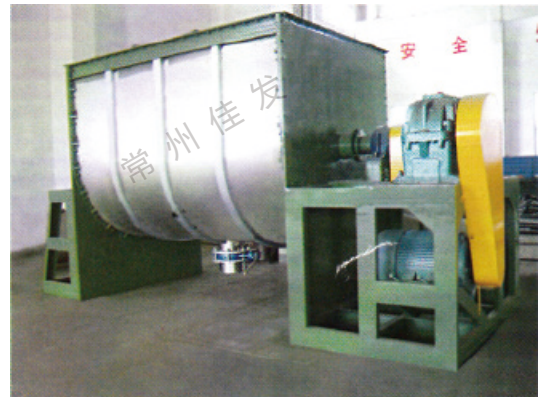
## WLDH SERIES HORIZONTAL RIBBON MIXER

## 概 述

## Descriptions

★该机型由容器 螺旋搅拌叶片和传动部件组成，螺旋叶片一般做成双层或三层，外层螺旋将物料从两侧向中央汇集，内层螺旋将物料从中央向两侧输送，形成对流混合。容积可做成圆形，以便夹套及于反应 干燥。

★This machine is composed of container, screw stirring paddles and transitional parts, the screw paddle are generally made into 1 layer or 3 layers, the outer screw converge is the material to the centre front two sides, and the inner layer of screw conveys the material to the two sides from the centre, so as to form convection mixing the cubage can be made rotundity, so the jacket can be played in reaction and drying.



## 特 点

## Features

★装载系数大、设备占地面积小。

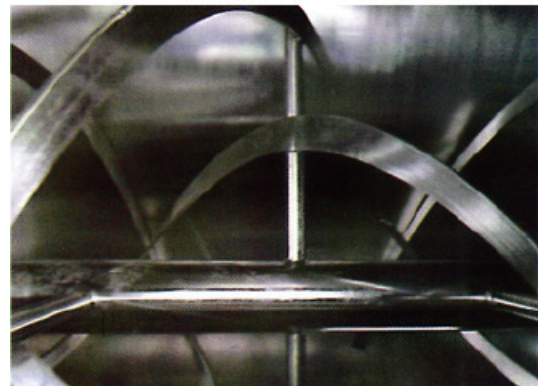
★Big coefficient of loading, small occupied area.

## 应 用

## Applications

★螺带混合机一般用于粘性或有凝聚性的粉粒体的混合以及粉粒体中添加液体及糊状物料的混合，同时由于粘性物料清洗困难的特点，适用于产量大 不经常更换品种的场所混合。

★The ribbon mixer is generally used in the mixing of viscous or adhesive powder material, or the mixing of powder which needs to add liquid, and paste material, meanwhile, because it is difficult to clean viscous material, the machine is suitable for the mixing case, where the output is large and there is no need of displacing material variety frequently.



## 技 术 参 数

## Technical Data

型号 Model	WLDH-0.1	WLDH-0.3	WLDH-0.5	WLDH-1	WLDH-1.5	WLDH-2	WLDH-3	WLDH-4	WLDH-6	WLDH-8	WLDH-10
一次混合 Mixed amount/batch(Kg)	30-50	100-150	200-300	400-600	600-900	800-1200	1200-1800	1600-2400	2400-3600	3200-4800	4000-6000
装机功率 Equipped power(Kw)	1.5-4	3-5.5	4-11	7.5-15	11-18.5	15-22	18.5-30	22-37	37-55	37-55	45-75
设备重量 Dead Weight(Kg)	420	850	1060	1790	1900	2750	3500	4280	5300	6800	7800

上述产品按客户要求由A3钢或不锈钢制造。

The above-mentioned products can be made in A3 steel or stainless steel acc. To customer's requirements.





# FZH方锥回转混合机

## FZH SQUARE CONE RITATING MIXER MACHINE

### 概述 Descriptions

★该机是我司广泛吸收、消化国外先进技术，结合国情研发成功的新机型。结构合理，性能稳定，操作方便，整机无死角，无外露螺钉。并设置防误操作装置的出料蝶阀，确保生产安全。回转体(混合料斗)与回转轴线成30°夹角，混合料斗中的物料随回转体翻动外，同时沿斗壁做切向运动，产生强烈的翻转和高速的切向运动，从而达到最佳的混合效果，优化了生产工艺，完全符合药品生产的GMP要求。

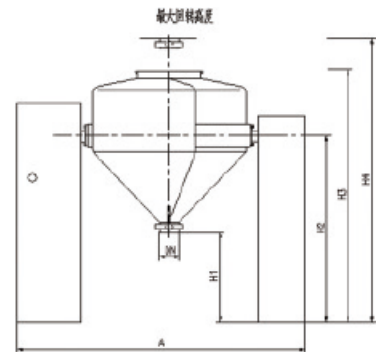
★This equipment is successfully designed on the basis of a wide research, absorption and digestion off9r-eign advanced models. It has a reasonable structure with stable performances and easy operation the whole machine has no dead angle or exposed screws. A device avoiding misoperation of the butterfly valve is designed to ensure a safe production. Structural characteristics of this equipment are: the bin is tilted 30°as compared with the rotation axis, the materials perform a double movement inside the bin: a constant and intense turn over following the frame rotation and also a relatively high tangential motion along the bin wail to realize an optimal blending effect. Finally, the production Process has been greatly optimized. HGD Series Mixers comply entirely with GMP requirements for medicine production.



### 应用 Applications

★FZH方锥回转混合机，主要用于制药工业中固体颗粒，粉末等物料的混合，具有传动平稳、结构可靠，混合量大，混合均匀度高的优点。

★FZH series fixed hopper mixing machine, mainly used for solid particles in the pharmaceutical industry, the mixed powder materials, has a stable transmission, reliable structure, large mixing capacity, has the advantages of high mixing uniformity.



### 技术参数 Technical Data

型号 Model	主要结构尺寸 Scantling structure								净载货		混合速度	设备重量	额定功率
	A	B	C	DN	H1	H2	H3	H4	容积 L	重量 kg	rpm	T	kw
FZH-200	1700	1000	650	150	700	1270	1580	1810	160	100	3-20	0.5	1.1
FZH-400	2000	1200	800	150	750	1460	1860	2170	320	200	3-20	0.7	1.5
FZH-600	2280	1300	900	150	750	1450	2000	2200	480	300	3-20	0.9	2.2
FZH-800	2380	1300	1000	200	750	1550	2080	2380	640	400	3-20	1	2.2
FZH-1000	2600	1400	1100	200	750	1650	2200	2550	800	500	3-20	1.2	3
FZH-1200	2900	1400	1200	200	750	1650	2300	2650	960	600	3-15	1.4	4
FZH-1500	3000	1400	1300	200	750	1720	2300	2700	1200	750	3-15	1.6	4
FZH-2000	3150	1500	1400	200	750	1820	2470	2900	1600	1000	3-12	2	5.5
FZH-2500	3300	1500	1500	200	750	1900	2600	3050	2000	1250	3-12	2.5	5.5
FZH-3000	3600	1700	1600	250	750	2130	2780	3500	2400	1500	3-12	2.8	7.5
FZH-4000	3800	1800	1700	250	1000	2430	3250	3720	3200	2000	3-12	3.2	7.5
FZH-5000	4300	2000	2000	250	1000	2560	3400	4200	4000	2500	3-12	3.8	11
FZH-6000	4400	2000	2100	250	1000	2630	3600	4260	4800	3000	3-8	4.5	11
FZH-8000	4600	2200	2200	250	1000	2650	3700	4350	6400	4000	3-8	5.2	15
FZH-10000	4860	2200	2350	250	1000	2800	3950	4600	8000	5000	3-8	6.5	15



# CH 槽型混合机

## CH SLOT MIXER

### 应用概述 General of applications

★本机是通过机械传动，使搅拌浆旋转，推动物料往复翻动，均匀混合，同时加入粘合剂，制成适合下道工序使用的湿材。

★制湿材也可选用 GHL 高速混合制粒机

★By machinery transmission, the machine makes stirring oar rotate, drive material turning to-and -fro, after even mixing, add the binder, then made into the required damp material which conforms next process.

★We can also choose GHL high-speed granulator for wet material.



### 技术参数 Technical Data

项目Item	规格Specification	CH-100	CH-150	CH-200	CH-400	CH-600
工作容积Working volume (L )		100	150	200	400	600
电机功率Motor power (Kw)		2.2	3	4	5.5	11
搅拌转速Stirring rotating speed (r/min)		24				
倒料角度Feeding angle		105	105	105	105	105
重量Weight ( Kg )		400	500	600	700	900
外形尺寸(长×宽×高)Overall dimension(LxWxH)(mm)		1400x580x1000	1600x600x1050	1870x650x1065	2400x750x1100	2600x800x1200

所有数据仅作参考，视物料情况，本公司拥有变更权利，并不另行通知。

All datas are used for reference only. According to the condition of material, our factory has the right to change but not notice, pardon!



## ZKH 快速真空混合机

### ZKH QUICK VACUUM MIXER

#### 设备特点 Features of equipment

★该机通过机械传动，使不对称的V型圆柱体内的物料做往复翻动，达到均匀混合之目的。

★The machine through mechanical transmission, the machine makes material in asymmetry V shape cylinders to turn over to-and-fro. The purpose of uniform can be got.



#### 技术参数 Technical Data

项目Item	规格Specification	0.05	0.15	0.3	0.5	1	1.5	2	3	4	5
工作容积(L) Working volume		20	65	145	210	425	700	800	1250	1850	2300
装料量(kg/batch) Load		12	40	90	130	250	420	480	750	1100	1400
主轴转速(rpm)Speed main shaft		25	22	20	18	15	15	14	13	11	8
电机功率(kw) Power		0.4	0.55	0.75	1.5	3	4	5.5	5.5	7.5	7.5
回转高度(mm) Height of rotating		900	1300	1700	1840	2030	2300	2490	2850	3200	4600

所有参数仅作参考，视物料情况，本公司拥有变更权利，并不另行通知。

All datas are used for reference only. According to the condition of material, our factory has the right to change but not notice, pardon!

## 30B 吸尘粉碎机

### MODEL 30B DUST CATCHER AND CRUSHING SET

#### 应用概述 General of applications

★该机广泛适用于制药、食品、化工等行业各种物料的粉碎。

★本机由加料、粉碎及吸尘机构组成。结构简单，清洗方便，与物料接触部分全部采用不锈钢制造。

★The machine is widely used in pharmaceutical, food, chemical, it can crush various of material.

★The machine is made up of feeding material part and crush part, and dust collect part. Its configuration is very briefness, all the parts which contact the material are made of stainless steel.



#### 技术参数 Technical Data

规格Specification	项目Item	生产能力Capacity(kg/h)	主轴转速Rotating speed of main shaft (rpm)	进料粒度(目)Feeding(mesh)	粉碎细度(目)Crushed fineness(mesh)	粉碎电机(kw)Motor for cruching	吸尘电机(kw)Motor for dust catching	外形尺寸(长×宽×高)Overall dimensions(L×W×H)(mm)
30B		50-300	3800	8	60-120	5.5	1.5	1200x650x1650

所有参数仅作参考，视物料情况，本公司拥有变更权利，并不另行通知。

All datas are used for reference only. According to the condition of material, our factory has the right to change but not notice, pardon!



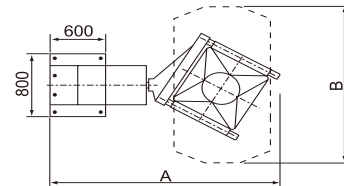
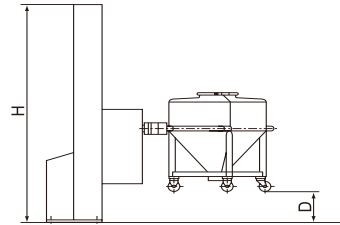
# HTD系列柱式料斗混合机

## HTD SERIES POST BIN BLENDER

### 应用概述 General of applications

★该机具有自动提升、混合、下降等功能。配一台料斗混合机及多个不同规格的混合料斗，就能满足多品种不同批量的混合要求，是药厂总混的理想设备。同时在制药、化工、食品等行业广泛使用。

★This equipment can execute automatically raising, blending and lowering tasks. One main machine can be configured with multi-bins, so variety blending can be satisfied, consequently it is considered as the ideal blending equipment in pharmaceutical Industry. It is also widely used in chemical, foodstuff industries, etc...



### 技术参数 Technical Data

Parameters \ Type	HTD-50	HTD-100	HTD-200	HTD-300	HTD-400	HTD-600	HTD-800
A	2100	2200	2350	2450	2800	3200	3200
B	1700	1800	1900	2000	2000	2400	2600
D	300	350	350	400	400	500	500
H	2500	2600	2700	2800	2800	2800	2800
Volume(L)	50	100	200	300	400	600	800
Power(Kw)	3	4	5	5.2	5.2	5.2	6.2
Weight(Kg)	700	800	850	900	1000	1300	1600

All datas are used for reference only. our factory has the right to change but without notice, pardon!



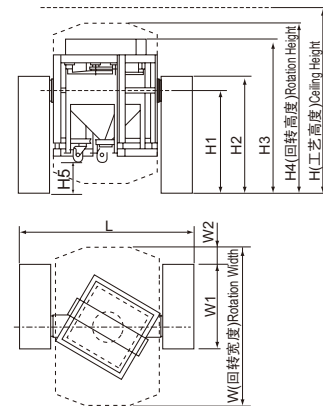
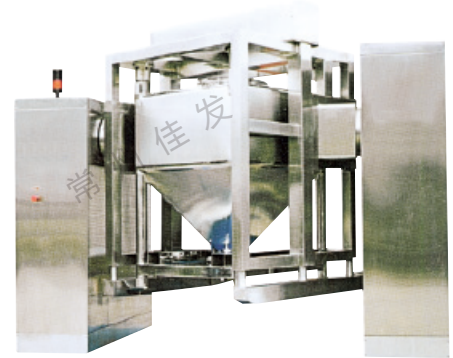
## HZD系列自动提升料斗混合机

## HZD SERIES BIN BLENDER

## 应用概述 General of applications

★该机具有自动提升、混合、下降等功能。配一台料斗混合机及多个不同规格的混合料斗，就能满足多品种不同批量的混合要求，是药厂总混的理想设备。同时在制药、化工、食品等行业广泛使用。

★This equipment can execute automatically raising, blending and lowering tasks. One main machine can be configured with multi-bins, so variety blending can be satisfied, consequently it is considered as the ideal blending equipment in pharmaceutical Industry. It is also widely used in chemical, foodstuff industries, etc...



## 技术参数 Technical Data

规格Specification 项目Item	HZD-400	HZD-400A	HZD-600	HZD-600A	HZD-800	HZD-800A	HZD-1000	HZD-1000A	HZD-1200	HZD-1200A	HZD-1500	HZD-1500A	HZD-1800	HZD-1800A	HZD-2000	HZD-2000A
L	2460		2950		2950		3330		3330		3500		3500		3500	
W	2410		2700		2860		3040		3140		3300		3460		3580	
W1	1100		1440		1440		1440		1440		1550		1550		1550	
W2	469		291		371		461		511		508		588		648	
H	3200	2800	3200	2800	3500	3100	3700	3300	3700	3500	4000	3600	4000	3700	4200	3900
H1	1750	1350	1700	1450	1900	1550	1900	1650	1900	1700	2050	1750	2130	1830	2200	1900
H2	1980	1580	1930	1680	2150	1800	2150	1900	2150	1950	2300	2000	2380	2080	2450	2150
H3	2490	2090	2473	2223	2750	2400	2800	2550	2898	2698	3113	2813	3241	2941	3435	3135
H4	2955	2555	3050	2800	3330	2980	3420	3170	3470	3270	3700	3400	3860	3560	3990	3690
H5	740	340	653	403	755	405	740	490	688	488	723	423	741	441	740	440
混合转速Blending speed(Rpm)	3~20		3~20		3~20		3~15		3~15		3~15		3~15		3~15	
净负载Net load(Kg)	200		300		400		500		600		750		900		1000	
总功率Total power(Kw)	4.75		7		7		8.5		8.5		10.5		11.5		11.5	
机器重量Machine weight(T)	1.8		2.5		2.6		3		3.2		3.6		4		4.2	

所有参数仅作参考，视物料情况，本公司拥有变更权利，并不另行通知。

All datas are used for reference only. According to the condition of material, our factory has the right to change but not notice, pardon!



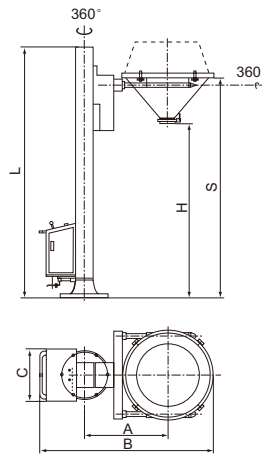
# NTF系列固定提升转料机

NTF SERIES PHARMA LIFTER, FOR FBG

## 应用概述 General of applications

★该机主要应用于制药工业固体物料的转送、加料。可与沸腾制粒机、沸腾干燥机、整粒机配套使用。同时在制药、化工、食品等行业中广泛使用。

★This equipment is mainly used in the solid dosage production procedure for transferring and discharging materials, consequently it is operated with corollary equipment such as FBG or FBD Bowls . pharmaceutical Lifters, chemical, foodstuff industries, etc...



## 技术参数 Technical Data

Item	Specification	NTF-200	NTF-300	NTF-500	NTF-800
S		3210	3210	3400	3400
H		2500	2500	2500	2500
L		3500	3600	3750	3850
A		1080	1180	1400	1500
B		2260	2460	2850	2950
C		750	750	750	750
Max Load(Kg)		200	300	500	800
Power(Kw)		2.2	2.2	3	3
Weight(Kg)		900	1100	1400	1600

NOTE: The lifting height NTF series Pharma Lifter is limitless. For instance, when  $H \leq 2500\text{mm}$ , the upper of the post should be fixed, when  $H > 2500\text{mm}$ , the upper and lower of the post should be both fixed.

All datas are used for reference only. According to the condition of material, our factory has the right to change but not notice, pardon!



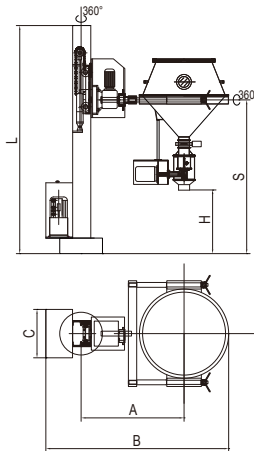
# NTFZ系列固定提升整粒转料机

NTFZ SERIES PHARMA LIFTER, FOR FBG/FBD BOWL

## 应用概述 General of applications

★该机主要应用于制药工业固体物料的转送、加料。可与沸腾制粒机、沸腾干燥机、整粒机配套使用。同时在制药、化工、食品等行业中广泛使用。

★This equipment is mainly used in the solid dosage production procedure for transferring and discharging materials, consequently it is operated with corollary equipment such as FBG or FBD Bowls . pharmaceutical Lifters, chemical, foodstuff industries, etc...



## 技术参数 Technical Data

Item	Specification	NTFZ-200	NTFZ-300	NTFZ-500	NTFZ-800
S		3210	3210	3400	3400
H		850	850	850	850
L		3500	3600	3750	3850
A		1080	1180	1400	1500
B		2260	2460	2850	2950
C		750	750	750	750
Max Load(Kg)		200	300	500	800
Power(Kw)		2.95	3.7	5.2	6
Weight(Kg)		900	1100	1400	1600

NOTE: The lifing height NTF series Pharma Lifter is limitless. For instance, when  $H \leq 2500\text{mm}$ , the upper of the post should be fixed, when  $H > 2500\text{mm}$ , the upper and lower of the post should be both fixed.

All datas are used for reference only. According to the condition of material, our factory has the right to change but not notice, pardon!



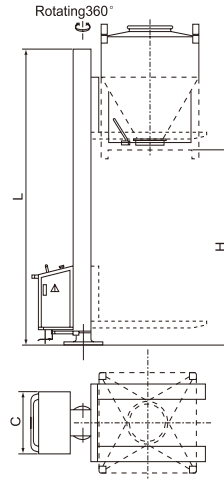
## NTD系列料斗提升加料机

NTD SERIES PHARMA LIFTER, FOR BIN

### 应用概述 General of applications

★该机主要应用于制药工业固体物料的输送、加料。可与混合机、压片机、胶囊充填机等设备配套使用。同时在制药、化工、食品等行业广泛使用。

★This equipment is mainly used in the solid dosage production procedure for transferring and discharging materials, consequently it is operated with corollary equipment such as granulator, blender, press, capsules filling machine, etc... pharmaceutical Lifters, for bin are widely used in pharmaceutical, chemical, foodstuff industries, etc...



### 技术参数 Technical Data

Parameters	Type	NTD-600	NTD-800	NTD-1000	NTD-1200	NTD-1500	NTD-1800	NTD-2000
H		2500	2500	2500	2500	2500	2500	2500
L		3400	3600	3600	3800	3800	3800	3800
C		750	750	750	750	750	750	750
Power(Kw)		2.2	2.2	3	3	3	3	3
Siut Bin(L)		600	800	1000	1200	1500	1800	2000

The lifting height of NTD series Pharma Lifter is limitless. For instance, when  $H \leq 2500\text{mm}$ , the upper of the post should be fixed, when  $H > 2500\text{mm}$ , both the upper and lower of the post should be fixed.

All datas are used for reference only. our factory has the right to change but without notice, pardon!

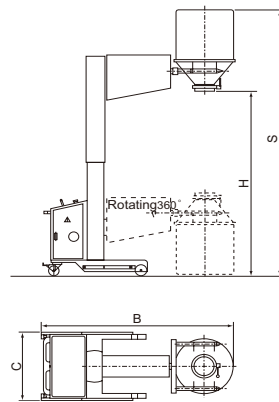
## NTS系列移动伸缩提升加料机

NTS SERIES PHARMA LIFTER, TELESCOPIC & MOVABLE

### 应用概述 General of applications

★该机主要应用于制药工业固体物料的输送、加料。可与混合机、压片机、包衣机、胶囊充填机等设备配套使用。同时在制药、化工、食品等行业广泛使用。

★This equipment is mainly used in the solid dosage production procedure for transferring and discharging materials, consequently it is operated with corollary equipment such as blender, mill facility, tablets press, coater, capsules filling machine, etc... pharmaceutical Lifters, for bin are widely used in pharmaceutical, chemical, foodstuff industries, etc...



### 技术参数 Technical Data

Parameters	Type	NTS-50	NTS-100
C		650	750
H		2500	2500
S		3270	3450
Load(Kg)		50	100
Power(Kw)		0.75	1.5

All datas are used for reference only. our factory has the right to change but without notice, pardon!





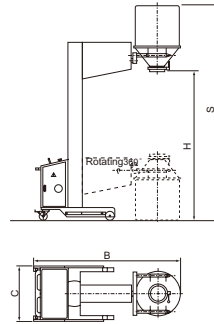
## NTY系列移动提升加料机

NTY SERIES PHARMA LIFTER,MOVABLE

### 应用概述 General of applications

★该机主要应用于制药工业固体物料的输送、加料。可与混合机、压片机、包衣机、胶囊充填机等设备配套使用。同时在制药、化工、食品等行业广泛使用。

★This equipment is mainly used in the solid dosage production procedure for transferring and discharging materials, consequently it is operated with corollary equipment such as blender, mill facility, tablets press, coater, capsules filling machine, etc...pharmaceutical Lifters, for bin are widely used in pharmaceutical, chemical, foodstuff industries, etc...



### 技术参数 Technical Data

Parameters	Type	NTY-50	NTY-100
C		650	750
H		1800	1800
S		2570	2750
Load(Kg)		50	100
Power(Kw)		0.75	1.5

When lifting height of NTY-XX increases. For instance, when H=2200mm,the value of S and L should be increased by 400mm accordingly. All datas are used for reference only. our factory has the right to change but without notice, pardon!

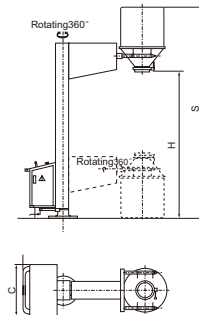
## NTG系列固定提升加料机

NTG SERIES PHARMA LIFTER,STATIONARY

### 应用概述 General of applications

★该机主要应用于制药工业固体物料的输送、加料。可与混合机、压片机、胶囊充填机等设备配套使用。同时在制药、化工、食品等行业广泛使用。

★This equipment is mainly used in the solid dosage production procedure for transferring and discharging materials, consequently it is operated with corollary equipment such as granulator, blender, press, capsules filling machine, etc... pharmaceutical Lifters, for bin are widely used in pharmaceutical, chemical, foodstuff industries, etc...



### 技术参数 Technical Data

Parameters	Type	NTG-50	NTG-100
C		650	750
H		2200	2200
S		2970	31550
Load(Kg)		50	100
Power(Kw)		0.75	1.5

The lifting height of NTG series Pharma Lifter is limitless. For instance, when H≤2500mm,the upper of the post should be fixed,when H>2500mm, both the upper and lower of the post should be fixed.

All datas are used for reference only. our factory has the right to change but without notice, pardon!

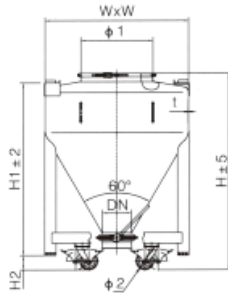
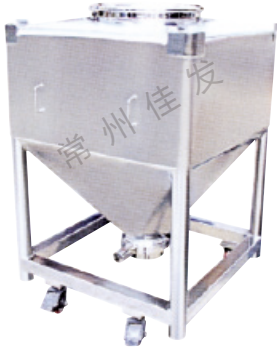


## LD系列混合料斗

## LD SERIES PHARMA BIN

## LDZ 提升混合料斗

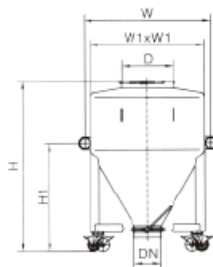
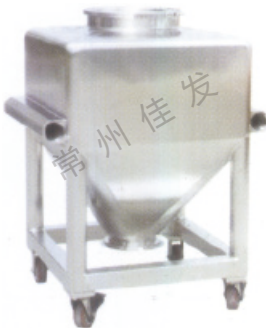
## LDZ PHARMA BIN



型号 Model	容积 Volume L	主要结构尺寸 Main structural dimensions						
		H1	H2	H3	ΦD	Φd	W1	DN
LDZ-300	300	1118	960	138	400	125	794	200
LDZ-400	400	1287	1130	165	400	125	794	200
LDZ-600	600	1366	1200	151	500	125	994	200
LDZ-800	800	1545	1375	118	500	125	994	200
LDZ-1000	1000	1586	1400	168	500	150	1194	250
LDZ-1200	1200	1736	1550	181	500	150	1194	250
LDZ-1500	1500	1868	1680	99	500	150	1194	250
LDZ-1800	1800	1982	1800	141	500	150	1194	250
LDZ-2000	2000	2238	2055	113	500	150	1194	250

## LDT 柱式混合料斗

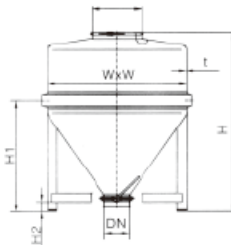
## LDT PHARMA BIN



型号 Model	容积 Volume L	主要结构尺寸 Main structural dimensions						
		H1	H2	H3	ΦD	Φd	W1	DN
LDT-50	50	714	500	130	630	200	100	150
LDT-100	100	910	550	204	630	400	100	150
LDT-200	200	946	700	100	770	400	100	200
LDT-300	300	1258	800	180	788	400	125	200
LDT-400	400	1318	850	166	888	400	125	200
LDT-600	600	1475	950	163	988	500	125	200
LDT-800	800	1508	1000	141	1088	500	125	200
LDT-1000	1000	1672	1050	125	1210	500	125	250

## LDY 柱式混合料斗

## LDY PHARMA BIN



型号 Model	容积 Volume L	主要结构尺寸 Main structural dimensions							
		H1	H2	H3	H4	ΦD1	W1	W2	DN
LDY-500	500	1280	920	185	100	500	894	900	200
LDY-600	600	1416	920	185	100	500	894	900	200
LDY-800	800	1532	970	185	100	500	994	1000	200
LDY-1000	1000	1674	1070	185	125	500	1094	1100	250
LDY-1200	1200	1686	1170	211	131	500	1194	1200	250
LDY-1500	1500	1873	1170	211	99	500	1194	1200	250
LDY-1800	1800	1968	1250	211	103	500	1294	1300	250
LDY-2000	2000	2046	1470	100	190	500	1400	1406	250
LDY-2500	2500	2211	1350	100	70	500	1400	1406	250
LDY-3000	3000	2402	1470	100	140	500	1494	1500	250
LDY-3500	3500	2570	1570	120	140	500	1600	1606	250
LDY-4000	4000	2770	1650	120	140	500	1600	1606	250



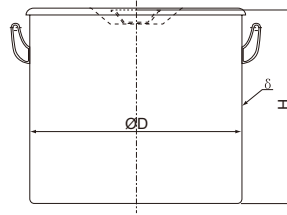
## LT系列料筒

### LT SERIES DRUM

#### 应用概述 General of applications

★筒体由奥氏体不锈钢做成，筒内任何角都是曲面形状，没有死角，无凹凸面，也没有残留物。筒体外表面经过高质量的抛光处理，光滑整洁。制造标准符合GMP要求。

★It's made of Austenitic stainless steel. All angles are cambered. There is no dead angle, no concave-convex face and no screw, no remnant on surface. The outside surface is polished to high quality. It's in conformity with GMP requirements.



#### 技术参数 Technical Data

Parameters \ Type	LT-50	LT-100	LT-120	LT-150	LT-200
ØD	500	500	600	600	600
H	270	540	445	550	740

All datas are used for reference only. our factory has the right to change but without notice, pardon!

## ZKS真空上料机

### ZKS VACUUM FEEDING MACHINE

#### 应用概述 General of applications

★真空上料机是一种新型的进料装备，这是基于我们广泛研究，吸收和消化国外最新的模型的基础上开发而成。它是输送像粉体、制粒、物料混合和粉体制粒等等之类的最理想的设备。

★Vacuum feeding machine is a brand-new type feeding equipment which is developed on the basis of our widely researching, absorbing and digesting foreign updated models. It is the most idea transferring equipment for the materials as powder, granules, mixture of powder and granules, etc .

#### 技术参数 Technical Data

Type	Parameters of motor (kw)	Delivery capacity (kg/h)
ZKS-1	1.5	400
ZKS-2	2.2	600
ZKS-3	3	1200
ZKS-4	5.5	2000
ZKS-6	5.5	4000
ZKS-7	7.5	6000

All datas are used for reference only. our factory has the right to change but without notice, pardon!





## CT系列无尘投料站

CT

### 应用概述 General of applications

★无尘投料站适用于袋装或筒装物料拆包投料。该设备配有除尘装置，在投料过程中通过除尘装置避免扬尘，避免粉尘污染背景环境，适用于制药、食品、化工等行业的物料投料环节。

无尘投料筛分站适用于袋装或筒装物料的拆包投料筛分，此产品为投料筛分一体机，具有筛分功能，可根据需求随意进行筛网的更换，该设备配有除尘装置，在投料过程中通过除尘装置避免扬尘，避免污染背景环境，适用于制药、食品、化工等行业的前处理环节。

★Dust free feeding station is suitable for bag or cylinder material unpacking. The device is equipped with dust removal device, in the course of feeding dust removal device to avoid dust, dust pollution to avoid the background environment, suitable for pharmaceutical, food, chemical industry and other sectors of the material feeding link. Clean feed screening station is suitable for bagged or barrel material unpacking feeding and screening, this product is feeding sieving machine, high sieving function, can be replaced according to the demand of the screen, the device is equipped with dust removal device during feeding process through the dust removal device to avoid dust, avoid the pollution of environment, the process for the pharmaceutical, food and chemical industry.



### 特点 General of applications

- ★独立除尘装置，无粉尘泄漏
- ★配有辅助翻板机构，减轻劳动强度
- ★结构简单，操作安全方便，易于维护；
- ★无死角设计，便于清洁；
- ★能满足不同的处理量要求；
- ★Independent dust removing device, no dust leakage
- ★It is equipped with an auxiliary plate turnover mechanism, reduce labor intensity
- ★It has the advantages of simple structure, safe and convenient operation, easy maintenance;
- ★No dead design, easy to clean;
- ★It can meet the requirements of different processing capacity;





## ZGH型立式高速混合机

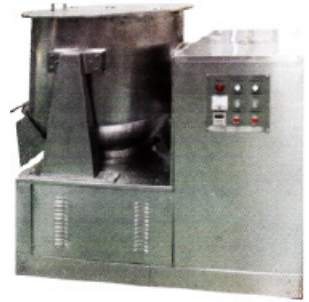
### ZGH VERTICAL HIGH SPEED MIXER

#### 应用概述 General of applications

★ZGH型立式高速混合机针对粉体或低湿物料特别设计，混合高效、均匀、无死角；  
★本机物料接触部分均采用不锈钢制作，搅拌轴设有密封装置，能有效防止串料，保障轴承及各传动部件寿命。

★ZGH type(vertical)high speed blender for mixing powder or powder with samll moistu re to design . It is a new type high—efficiency , regular and no died angle machine .

★The contact parts materials are all stainless steel . The sti rring shaft with seal, ingdevice to avoid material swap and guarantee bearing and driving medium life .



#### 设备特点 Features of equipment

ZGH型立式高速混合机是我公司集国内外先进技术，最新研制的高效混合机，其主要特点如下：

- ★利用安装于机体底部的立式高速转动桨叶形成的离心力并作用于物料，使之形成外围向上翻滚，中心向下凹陷的旋涡状，使物料内、外圈，上、下层充分搅拌混合，
- ★利用安装于机器侧壁的高速碎料桨叶，将外圈翻滚起来的物料打碎，同时起到扰动的作用，加大物料间的相对运动，提高混合效果，
- ★由于上述两种桨叶的共同作用，能使物料在较短时间内达到混合充分、均匀的目的，其效率是国内其它各种混合机都难以比拟的。
- ★混合仓无死角，放料迅速，易清洗，
- ★该机物料接触部位均采用不锈钢制作，混合过程中不会产生物料挥发、变质或流失等现象，保障了工艺配比要求，
- ★该机适用于不同比例的干、湿物料的混合，特别适用于鸡精、药品冲剂、饮料冲剂等多种复杂物料的混合搅拌。

ZGH type (vertical) high speed blender is ou r company absorb doemestic and overseas advanced technology and design newest higefficiency machine. It iS has these characteristic as follows

- ★Use install lhe bottom's vertical high speed paddle formative centrifugal force impact material. let it outside upward roll and inside downward sunk like volution. Let the material inside. outside. up and down mixin and compound full.
- ★Use installthe parietal's high speed crushed paddle to samrsh roll material of outside. at the same time It is has disturbed function. increase material relative motion. enhance mixing result.
- ★Due to two paddles combined action. It is can compound full and uniform at short time. It's efficiency is higher and other mixers are difficult to compare.
- ★There are no died angles of mix bin. It is emptying quickly and cleaning easy
- ★All contact parts of this machine are all stainless steel. when mixing the raw material will not volatilizer. go bad and run off phenomemon. It is ensure craft matching demands.
- ★The machine are suit fo r diffe rent proportional dry or wet raw mate rials to mix. it is specialY for chlcken extract. medicine a ranule and drink powde r to compound.

#### 技术参数 Technical Data

型号 Type	工作容积 (L) Work volume	搅拌重量 (kg/次) Stiring weight kg/batch	装机功率 (KW) Installed power	重量 (Kg) Weight	外形尺寸 (mm) Overall dimension
ZGH-350	350	150	7.37	600	1500×1090×1200
ZGH-400	400	200	8.07	650	1500×1090×1300
ZGH-850	850	400	10.87	850	1718×1320×1400



制粒

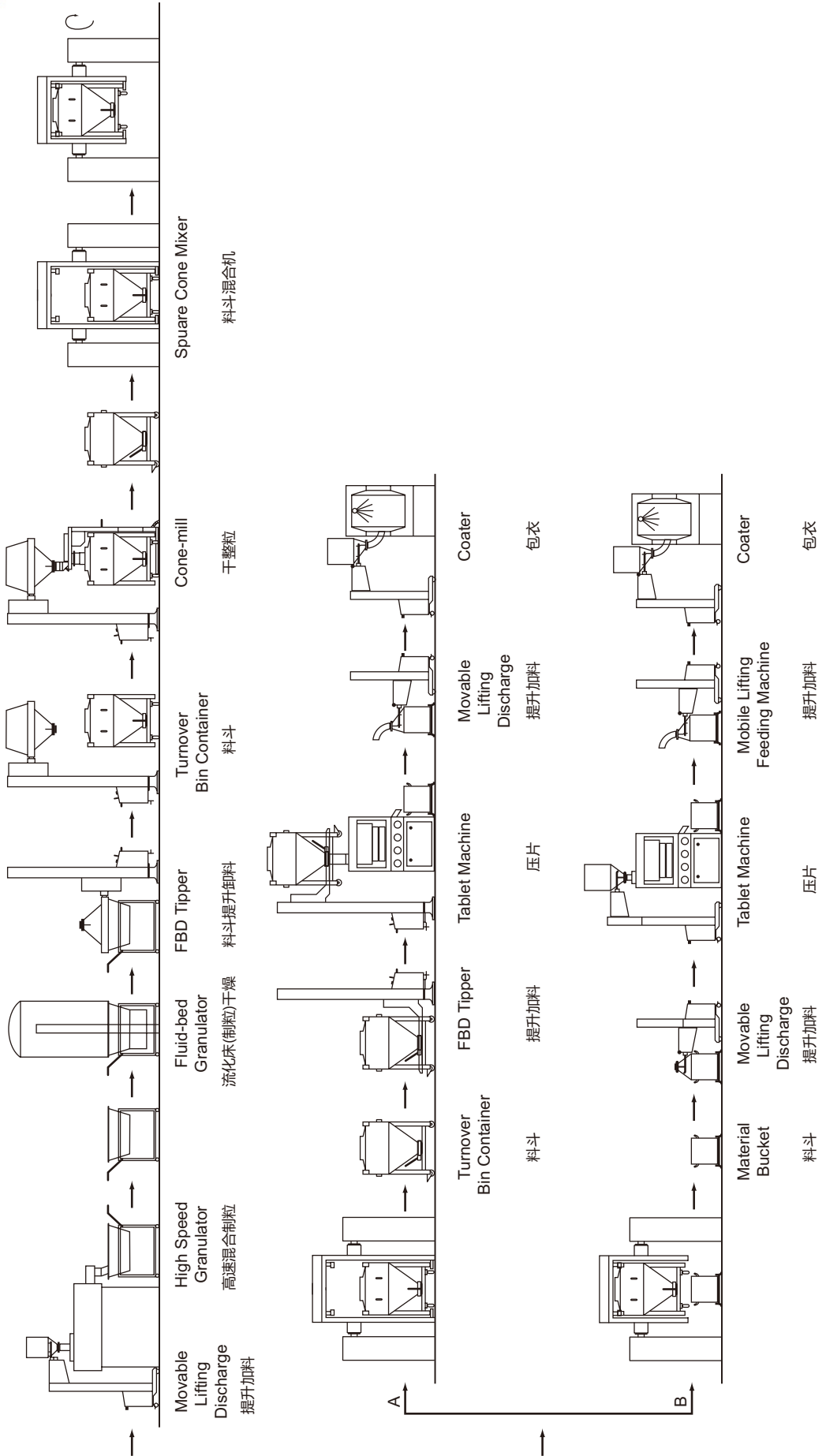
制丸

包衣

干燥

佳发混合  
JIAFA GRANULATING

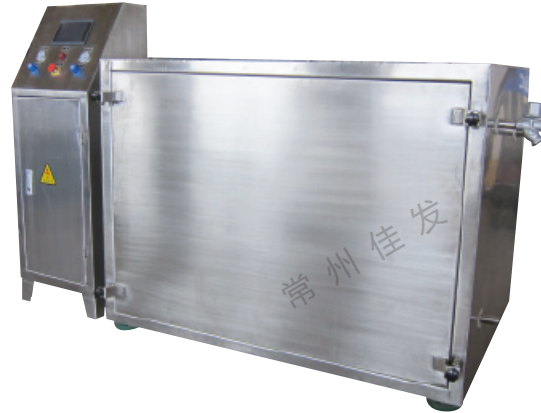
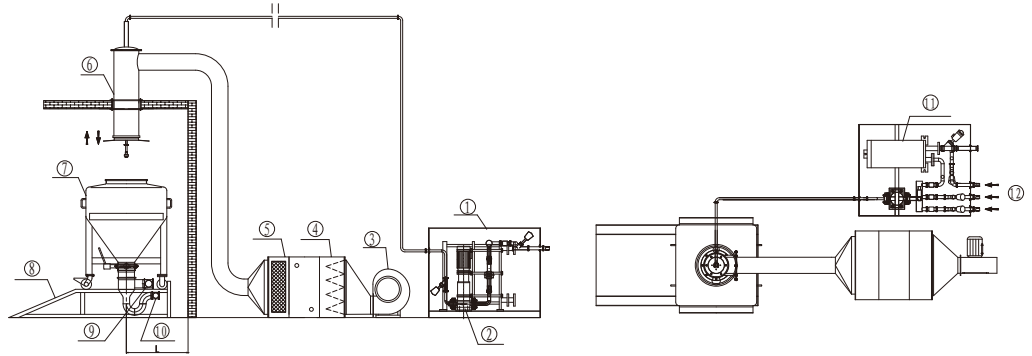
# Solid Dosage Production Procedure Bin Blender Procedure 固体剂型生产流程 料斗混合流程





# QZ 系列组合式清洗机

## QZ SERIES COMBINED TYPE WASHER



- 1. pump station 泵站
- 2. water pump 水泵
- 3. hot air fan 热风风机
- 4. filter 过滤器
- 5. heater 加热器
- 6. cleaning head 清洗头
- 7. bin 料斗
- 8. cleaning platform 清洗平台
- 9. exhaust air valve 排风阀
- 10. blow down valve 排污阀
- 11. hot water heater 热水加热器
- 12. inflow 进水

### 应用概述 General of applications

★该机主要用于制药工业固体制剂生产过程中的容器清洗。配一台料斗清洗机能清洗不同规格的混合料斗或周转料斗，是药厂清洗容器的理想设备。同时在制药、化工、食品等行业广泛使用。

★The Combined type Washer is the main containers washing equipment in the solid dosage production procedure specifications and, consequently it is considered as the ideal washing equipment in pharmaceutical Industry. It is also widely used in chemical, foodstuff Industries, etc...

### 技术参数 Technical Data

规格 Specification	QZ3	QZ5	QZ10	QZ15
项目Item				
流量Flow rate(T/h)	3	5	10	15
压力Pressure(bar)	115. 700	6.3	6.3	6.7
功率Power(kw)	1.1	2.2	3.0	5.5
L(mm)	1400	1400	1400	1400

## 提供如下工艺试验

FLP-1、3、5型流化造粒包衣机  
FL-1、3、5型沸腾制粒机  
FG-1、3、5型沸腾干燥机  
PGL-1、5型喷雾干燥制粒机  
XLB-0.3、0.75、1.5型旋转流化床制丸(粒)包衣机  
LDP-0.2、1、2型流化床包衣机  
QZL-550型球形抛丸机  
CFL-6型流化床连续制粒包衣机  
BZJ-360型包衣造粒机  
BGB-5型高效包衣机  
GHL-10型高速混合制粒机  
YPL-15型压力喷雾干燥造粒机  
LPG-5、25型高速离心喷雾干燥机  
XSG-400型旋转闪蒸干燥机

## 技术支持

免费工艺试验  
选型工程支持  
技术培训支持  
丸芯处方支持  
GMP验证技术支持  
包衣膜材处方支持

## Provide the following process test

FLP-1,3,5 fluid-bed granulator pelletizer coater  
FL-1,3,5 fluid-bed granulator  
FG-1,3,5 fluid-bed dryer  
PGL-1,5 spraying dryer granulator  
XLB-0.3,0.75,1.5 rotor fluid-bed pelletizer and coater  
LDP-0.2,1,2 fluid-bed coater  
QZL-550 pelletizer  
CFL-6 continuous fluid-bed technology  
BZJ-360 granulator and coater  
BGB-5 high efficiency coater  
GHL-10 high speed mixer granulator  
YPL-15 pressure spray granulator  
LPG-5,25 high speed centrifugal spraying dryer  
XSG-400 rotating flash dryer

## Technical Support

Process test free of charge  
Choosing for engineering  
Technical training  
Pellet core preparation  
GMP authentication technology  
Formulation of film



## 常州市佳发制粒干燥设备有限公司

地 址：中国江苏常州天宁区郑陆镇三河口工业园区  
总 经 理：邹龙贵 手机：013606122988  
高级工程师：  
电 话：0519-88672258 88672268  
传 真：0519-88672218  
邮 编：213115

Changzhou Jiafa Granulating Drying Equipment Co.,Ltd.  
Add: Sanhekou Industry Park District, Zhenglu Town,  
Tianning District, Changzhou City 213115,  
Jiangsu Province, China

General Manager Senior Engineer:  
Zou Longgui Mobile Phone: 013606122988  
Tel: 0086-519-88672258 0086-519-88672268  
Fax: 0086-519-88672218 P.C.: 213115  
Http://www.jf-granulator.com  
E-mail: czjf2008@263.net